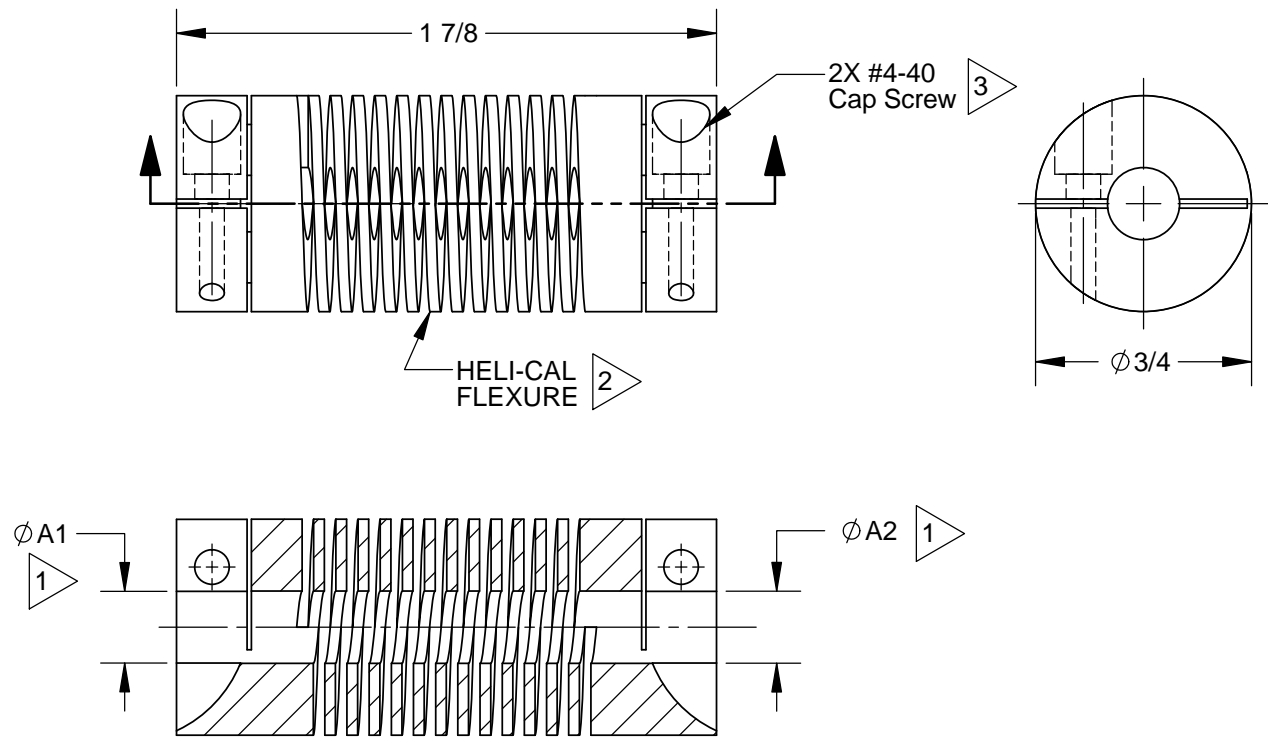
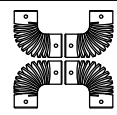


NOTES:

- 1 Restricted bores:  
 MAX shaft penetration:  
 A1 bore- .38  
 A2 bore- .38  
  
 Minimum shaft end to shaft end: 1.12
- 2 Hubs and HELI-CAL FLEXURE are made from a single piece of material.
- 3 Integral Clamp Attachment, hex socket, ISO std., cap screw furnished: both hubs
- 4 Backlash: None.  
 No lubrication required.
- 5 Working torque ratings are based upon continuous duty with noted misalignments applied separately and may be increased with improved alignment:  
  
 See Tabulated Sheet
- 6 Permissible shaft misalignment:  
 Angular, up to 45 degrees.



Description:						<b>HELICAL FLEXURED U JOINT</b>																																															
Finish:						Material:																																															
<b>Natural</b>						<b>17-4PH CRES HT</b>																																															
<table border="1"> <tr> <td>—</td><td>—</td><td>—</td><td>—</td><td>—</td><td>—</td> </tr> <tr> <td>—</td><td>—</td><td>—</td><td>—</td><td>—</td><td>—</td> </tr> <tr> <td>—</td><td>—</td><td>—</td><td>—</td><td>—</td><td>—</td> </tr> <tr> <th>Date</th><th>Ltr.</th><th>Revision</th><th>Drwn.</th><th>Chk.</th><th>App.</th> </tr> <tr> <td>MH/08-28-2017</td><td></td><td>RV/01-10-2018</td><td></td><td>EK/01-19-2018</td><td></td> </tr> <tr> <td colspan="2">Drawn By/Date</td><td colspan="2">Checked By/Date</td><td colspan="2">Approved By/Date</td> </tr> </table>						—	—	—	—	—	—	—	—	—	—	—	—	—	—	—	—	—	—	Date	Ltr.	Revision	Drwn.	Chk.	App.	MH/08-28-2017		RV/01-10-2018		EK/01-19-2018		Drawn By/Date		Checked By/Date		Approved By/Date		Unless Otherwise Specified All Tolerances & Dimensions are in Inches <b>INCH</b> <b>METRIC</b> X/XX= ± 1/64      X= ± 0.5mm .XX= ± .01      X.X= ± 0.25mm .XXX= ± .005      X.XX= ± 0.15mm All surface finish 63 roughness Break all sharp corners .010 MAX Interpret IAW ASME Y14.5 2009						 <p><b>HELICAL</b>                  PRODUCTS COMPANY                  901 West McCoy Lane                  SANTA MARIA, CA. 93456 U.S.A.                  PHONE (805) 928-3851 FSC13201</p> <p>NOTICE: THE INFORMATION AND DATA CONTAINED HEREIN IS CONSIDERED PROPRIETARY TO HELICAL PRODUCTS COMPANY, AND SHALL REMAIN THE EXCLUSIVE PROPERTY OF HELICAL. THE HOLDER WILL ASSUME CUSTODY AND CONTROL THAT THIS DOCUMENT WILL NOT BE COPIED, REPRODUCED OR DISCLOSED WITHOUT THE EXPRESS WRITTEN CONSENT OF HELICAL. POSSESSION OF THIS DOCUMENT DOES NOT CONSTITUTE A GRANT TO MANUFACTURE ANY ITEM.                  Copyright HELICAL PRODUCTS CO.</p>					
—	—	—	—	—	—																																																
—	—	—	—	—	—																																																
—	—	—	—	—	—																																																
Date	Ltr.	Revision	Drwn.	Chk.	App.																																																
MH/08-28-2017		RV/01-10-2018		EK/01-19-2018																																																	
Drawn By/Date		Checked By/Date		Approved By/Date																																																	
						DO NOT SCALE DRAWING   SCALE: 2:1																																															

**TABULATED DATA**  
Copyright HELICAL PRODUCTS CO.

Finish: **Natural**

Material: **17-4PH CRES HT**

Drawing No.: **UJ7C075-45**

Sales Sht. No.: **2 of 2** Rev. **A**

DO NOT SCALE DRAWING

DESCRIPTION	BORE SIZES		TORQUES (Lbin)		
	TOLERANCE +.002in or +0.05mm -.000 0		Momentary Dynamic	Non- Reversing	Shock or Reversing
Ø A1	Ø A2				
UJ7C075-45-6-6	.188in	.188in	17	8.5	4.3
UJ7C075-45-8-8	.250in	.250in	15	7.5	3.8