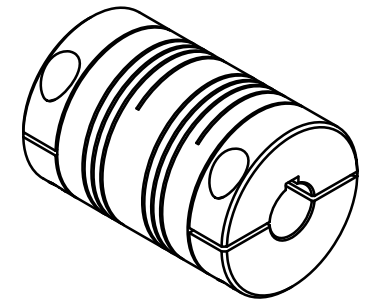
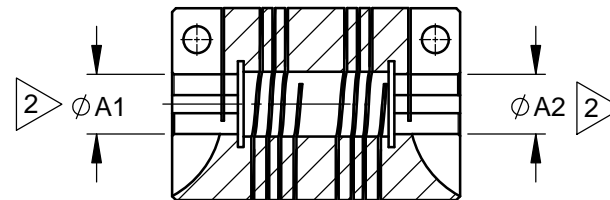
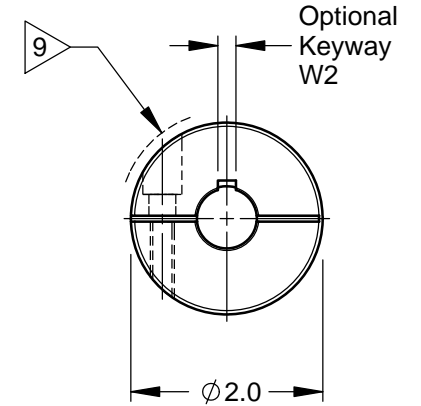
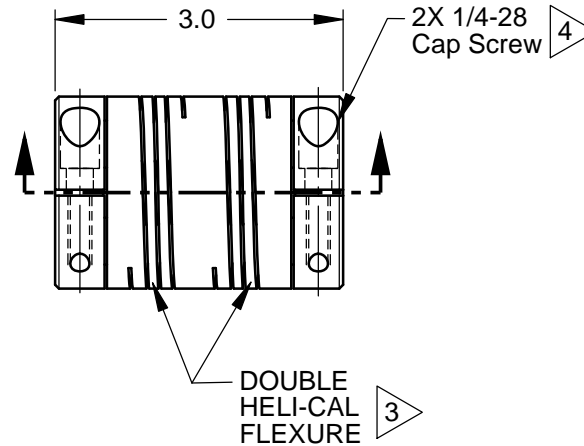
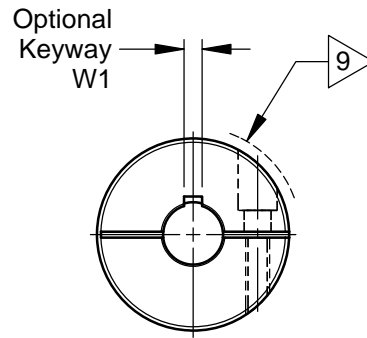


NOTES:

- 1 Refer to Secondary Sheet for Tabulated Data.
- 2 $\phi A1$ and $\phi A2$ shafts may near butt except:
 When any Bore $> \phi .750$ the component shaft MAX penetration is .745
 or
 when both Bores $> \phi .750$ the component shaft MAX penetration is .745 & the MIN shaft end to shaft end is 1.510.
- 3 Hubs and HELI-CAL FLEXURE are made from a single piece of material.
- 4 Integral Clamp attachment, hex, socket, cap screw furnished: both hubs.
- 5 Backlash: None. No lubrication required.
- 6 Permitted axial motion from free length: $\pm .010$
- 7 Working torque ratings are based upon continuous duty with noted misalignments applied separately and may be increased with improved alignment: Refer to Tabulated Data
- 8 Permissible shaft misalignment:
 Angular, up to 5°
 Offset, up to .030 (FIM, .060)
- 9 Part will have a $\phi 2.242$ clearance on both ends when any Bore $> \phi 1.024$ thru $\phi 1.280$.



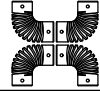
NOTICE: THE INFORMATION AND DATA CONTAINED HEREIN IS CONSIDERED PROPRIETARY TO HELICAL PRODUCTS COMPANY, INC., AND SHALL REMAIN THE EXCLUSIVE PROPERTY OF HELICAL. THE HOLDER WILL ASSUME CUSTODY AND CONTROL THAT THIS DOCUMENT WILL NOT BE COPIED, REPRODUCED OR DISCLOSED WITHOUT THE EXPRESS WRITTEN CONSENT OF HELICAL. POSSESSION OF THIS DOCUMENT DOES NOT CONSTITUTE A GRANT TO MANUFACTURE ANY ITEM.
 Copyright
HELICAL PRODUCTS CO. INC.

02-27-14	---	Tabulated data format update	CL	EK
11-04-13	---	Redrawn in Solidworks	JAJ	EK
10-28-98	---	Clerical format update / No revision	BJM	MC
DATE	LTR	REVISION	APVR	

Unless otherwise specified all tolerances and dimensions are in inches.

Inch	Metric
X/XX= $\pm 1/64$	X= ± 0.5 mm
.XX= $\pm .01$	X.X= ± 0.25 mm
.XXX= $\pm .005$	X.XX= ± 0.15 mm
Angles $\pm 2^\circ$	

Break sharp corners .010 MAX
 All surface finish 63 roughness
 Do Not Scale Drawing



HELICAL

PRODUCTS COMPANY

901 West McCoy Lane
 P.O. BOX 1069
 SANTA MARIA, CA. 93456 U.S.A.
 PHONE (805) 928-3851 FSC13201

DRAWN BY	ER	DATE	02-03-81	TITLE	HELICAL FLEXIBLE SHAFT COUPLING	
CHECKED BY	MC	DATE	02-03-81	MATL	17-4PH CRES	HT
APPRVD BY	APA	DATE	02-03-81	FINISH	Natural	
WEIGHT (calculated)				DRAWING NUMBER		
1044g				MC7C200		
SHEET 1 of 9				REV		

TABULATED DATA

Copyright HELICAL PRODUCTS CO

MATERIAL: 17-4PH CRES HT

FINISH: Natural

Drawing Number

MC7C200

REV

DO NOT SCALE DRAWING

SHT 2 of 9

ITEM DESCRIPTION (Part Number)	BORE SIZES		TORQUES (lbin)			KEYWAY Width	
	TOLERANCE +0.02in or +0.05mm -0.00in or 0		Momentary Dynamic	Non- Reversing	Shock or Reversing	TOLERANCE +0.02in or +0.05mm -0.00in or 0	
	Ø A1	Ø A2				W1	W2
MC7C200-BLANK (STD)	.359in	.219in	---	---	---	---	---
MC7C200-12-10	.375in	.313in	475	237	118	---	---
MC7C200-10mmQ4-12K1	10.00mm	.375in	475	237	118	4.00mm	.094in
MC7C200-14-14	.438in	.438in	468	234	117	---	---
MC7C200-14K3-14K3	.438in	.438in	468	234	117	.125in	.125in
MC7C200-12mm-12mm	12.00mm	12.00mm	456	228	114	---	---
MC7C200-16K3-6	.500in	.188in	456	228	114	.125in	---
MC7C200-16-8	.500in	.250in	456	228	114	---	---
MC7C200-16K3-8	.500in	.250in	456	228	114	.125in	---
MC7C200-16K3-10K1	.500in	.313in	456	228	114	.125in	.094in
MC7C200-16-12	.500in	.375in	456	228	114	---	---
MC7C200-16K3-12	.500in	.375in	456	228	114	.125in	---
MC7C200-16-10mm	.500in	10.00mm	456	228	114	---	---
MC7C200-16-16	.500in	.500in	456	228	114	---	---
MC7C200-16K3-16	.500in	.500in	456	228	114	.125in	---
MC7C200-16K3-16K3	.500in	.500in	456	228	114	.125in	.125in
MC7C200-16K4-16K4	.500in	.500in	456	228	114	.188in	.188in
MC7C200-16W04-16W04	.500in	.500in	456	228	114	.126in	.126in
MC7C200-14mm-16	14.00mm	.500in	424	212	106	---	---
MC7C200-14mmQ5-12K1	14.00mm	.375in	424	212	106	5.00mm	.094in
MC7C200-14mm-16K3	14.00mm	.500in	424	212	106	---	.125in
MC7C200-14mmQ5-16K3	14.00mm	.500in	424	212	106	5.00mm	.125in
MC7C200-14mm-14mm	14.00mm	14.00mm	424	212	106	---	---
MC7C200-14mmQ5-14mmQ5	14.00mm	14.00mm	424	212	106	5.00mm	5.00mm
MC7C200-18K3-16K3	.563in	.500in	420	210	105	.125in	.125in
MC7C200-18-18K3	.563in	.563in	420	210	105	---	.125in
MC7C200-15mm-16	15.00mm	.500in	400	200	100	---	---
MC7C200-15mmQ5-14mmQ5	15.00mm	14.00mm	400	200	100	5.00mm	5.00mm
MC7C200-15mm-15mm	15.00mm	15.00mm	400	200	100	---	---
MC7C200-15mm-20 Superseded	15.00mm	.625in	---	---	---	---	---

TABULATED DATA

Copyright HELICAL PRODUCTS CO

MATERIAL: 17-4PH CRES HT

FINISH: Natural

Drawing Number

MC7C200

REV

DO NOT SCALE DRAWING

SHT 3 of 9

ITEM DESCRIPTION (Part Number)	BORE SIZES		TORQUES (lbin)			KEYWAY Width	
	TOLERANCE		Momentary Dynamic	Non- Reversing	Shock or Reversing	TOLERANCE	
	ϕ A1	ϕ A2				$\frac{+.002in}{-.000in}$ or $\frac{+.05mm}{0}$	$\frac{+.002in}{-.000in}$ or $\frac{+.05mm}{0}$
MC7C200-19-19	.594in	.594in	400	200	100	---	---
MC7C200-20-8	.625in	.250in	384	192	96	---	---
MC7C200-20-10	.625in	.313in	384	192	96	---	---
MC7C200-20-12	.625in	.375in	384	192	96	---	---
MC7C200-20K4-12	.625in	.375in	384	192	96	.188in	---
MC7C200-20K4-12K1	.625in	.375in	384	192	96	.188in	.094in
MC7C200-20K4-12W03	.625in	.375in	384	192	96	.188in	.095in
MC7C200-20K4-12W04	.625in	.375in	384	192	96	.188in	.126in
MC7C200-20K4-13	.625in	.407in	384	192	96	.188in	---
MC7C200-20-11mm	.625in	11.00mm	384	192	96	---	---
MC7C200-20-14	.625in	.438in	384	192	96	---	---
MC7C200-20K4-14	.625in	.438in	384	192	96	.188in	---
MC7C200-20-12mm	.625in	12.00mm	384	192	96	---	---
MC7C200-20K4-12mm	.625in	12.00mm	384	192	96	.188in	---
MC7C200-20K4-12mmQ4	.625in	12.00mm	384	192	96	.188in	4.00mm
MC7C200-20-16	.625in	.500in	384	192	96	---	---
MC7C200-20K4-16	.625in	.500in	384	192	96	.188in	---
MC7C200-20K4-16K2	.625in	.500in	384	192	96	.188in	.156in
MC7C200-20K4-16K3	.625in	.500in	384	192	96	.188in	.125in
MC7C200-20K4-16K4	.625in	.500in	384	192	96	.188in	.188in
MC7C200-20-14mm	.625in	14.00mm	384	192	96	---	---
MC7C200-20K4-14mm	.625in	14.00mm	384	192	96	.188in	---
MC7C200-20K4-14mmQ5	.625in	14.00mm	384	192	96	.188in	5.00mm
MC7C200-20-18	.625in	.563in	384	192	96	---	---
MC7C200-20K4-18K3	.625in	.563in	384	192	96	.188in	.125in
MC7C200-20-15mm	.625in	15.00mm	384	192	96	---	---
MC7C200-20K3-15mmQ5	.625in	15.00mm	384	192	96	.125in	5.00mm
MC7C200-20K4-15mm	.625in	15.00mm	384	192	96	.188in	---
MC7C200-20K4-15mmK4	.625in	15.00mm	384	192	96	.188in	.188in
MC7C200-20K4-15mmQ5	.625in	15.00mm	384	192	96	.188in	5.00mm
MC7C200-20-15.24mm	.625in	15.24mm	384	192	96	---	---
MC7C200-20-20	.625in	.625in	384	192	96	---	---
MC7C200-20K4-20	.625in	.625in	384	192	96	.188in	---
MC7C200-20K4-20K3	.625in	.625in	384	192	96	.188in	.125in
MC7C200-20K4-20K4	.625in	.625in	384	192	96	.188in	.188in
MC7C200-20W04-20W04	.625in	.625in	384	192	96	.126in	.126in
MC7C200-20W06-20W06	.625in	.625in	384	192	96	.189in	.189in

TABULATED DATA

Copyright HELICAL PRODUCTS CO

MATERIAL: 17-4PH CRES HT

FINISH: Natural

Drawing Number

MC7C200

REV

DO NOT SCALE DRAWING

SHT 4 of 9

ITEM DESCRIPTION (Part Number)	BORE SIZES		TORQUES (lbin)			KEYWAY Width	
	TOLERANCE +0.02in or +0.05mm -0.00in or 0		Momentary Dynamic	Non- Reversing	Shock or Reversing	TOLERANCE +0.02in or +0.05mm -0.00in or 0	
	Ø A1	Ø A2				W1	W2
MC7C200-16mmQ5-9.5mm	16.00mm	9.50mm	384	192	96	5.00mm	---
MC7C200-16mm-12	16.00mm	.375in	384	192	96	---	---
MC7C200-16mm-12mm	16.00mm	12.00mm	384	192	96	---	---
MC7C200-16mm-16	16.00mm	.500in	384	192	96	---	---
MC7C200-16mm-14mm	16.00mm	14.00mm	384	192	96	---	---
MC7C200-16mm-20	16.00mm	.625in	384	192	96	---	---
MC7C200-16mmQ5-20K4	16.00mm	.625in	384	192	96	5.00mm	.188in
MC7C200-16mmQ5-20W06	16.00mm	.625in	384	192	96	5.00mm	.189in
MC7C200-16mm-16mm	16.00mm	16.00mm	384	192	96	---	---
MC7C200-17mm-16	17.00mm	.500in	368	184	92	---	---
MC7C200-17mm-15mm	17.00mm	15.00mm	368	184	92	---	---
MC7C200-17mm-20	17.00mm	.625in	368	184	92	---	---
MC7C200-17mmQ5-20K4	17.00mm	.625in	368	184	92	5.00mm	.188in
MC7C200-17mm-17mm	17.00mm	17.00mm	368	184	92	---	---
MC7C200-22K4-16K3	.688in	.500in	360	180	90	.188in	.125in
MC7C200-22-20	.688in	.625in	360	180	90	---	---
MC7C200-22K4-20K4	.688in	.625in	360	180	90	.188in	.188in
MC7C200-22K4-22K4	.688in	.688in	360	180	90	.188in	.188in
MC7C200-17.65mm-20	17.65mm	.625in	352	176	88	---	---
MC7C200-17.78mm-12mm	17.78mm	12.00mm	356	178	89	---	---
MC7C200-18mm-16	18.00mm	.500in	352	176	88	---	---
MC7C200-18mm-20	18.00mm	.625in	352	176	88	---	---
MC7C200-18mmQ6-20K4	18.00mm	.625in	352	176	88	6.00mm	.188in
MC7C200-23-20	.719in	.625in	352	176	88	---	---
MC7C200-23-20	.719in	.625in	352	176	88	---	---
MC7C200-23K4-20	.719in	.625in	352	176	88	.188in	---

TABULATED DATA

Copyright HELICAL PRODUCTS CO

MATERIAL: 17-4PH CRES HT

FINISH: Natural

Drawing Number

MC7C200

REV

DO NOT SCALE DRAWING

SHT 5 of 9

ITEM DESCRIPTION (Part Number)	BORE SIZES		TORQUES (lbin)			KEYWAY Width	
	TOLERANCE +0.002in or +0.05mm -0.000in or 0		Momentary Dynamic	Non- Reversing	Shock or Reversing	TOLERANCE +0.002in or +0.05mm -0.000in or 0	
	Ø A1	Ø A2				W1	W2
MC7C200-19mmQ6-12	19.00mm	.375in	336	168	84	6.00mm	---
MC7C200-19mmQ6-12K1	19.00mm	.375in	336	168	84	6.00mm	.094in
MC7C200-19mm-16	19.00mm	.500in	336	168	84	---	---
MC7C200-19mmQ5-16K3	19.00mm	.500in	336	168	84	5.00mm	.125in
MC7C200-19mmQ6-16K3	19.00mm	.500in	336	168	84	6.00mm	.125in
MC7C200-19mm-20	19.00mm	.625in	336	168	84	---	---
MC7C200-19mmQ6-20	19.00mm	.625in	336	168	84	6.00mm	---
MC7C200-19mmQ6-20K4	19.00mm	.625in	336	168	84	6.00mm	.188in
MC7C200-19mmQ6-16mmQ5	19.00mm	16.00mm	336	168	84	6.00mm	5.00mm
MC7C200-19mmQ6-22K4	19.00mm	.688in	336	168	84	6.00mm	.188in
MC7C200-19mmQ6-18mmW06	19.00mm	18.00mm	336	168	84	6.00mm	.189in
MC7C200-19mmQ6-19mmQ6	19.00mm	19.00mm	336	168	84	6.00mm	6.00mm

TABULATED DATA

Copyright HELICAL PRODUCTS CO

MATERIAL: 17-4PH CRES HT

FINISH: Natural

Drawing Number

MC7C200

REV

DO NOT SCALE DRAWING

SHT 6 of 9

ITEM DESCRIPTION (Part Number)	BORE SIZES		TORQUES (lbin)			KEYWAY Width	
	TOLERANCE +0.02in -0.00in or +0.05mm 0		Momentary Dynamic	Non- Reversing	Shock or Reversing	TOLERANCE +0.02in -0.00in or +0.05mm 0	
	Ø A1	Ø A2				W1	W2
MC7C200-24-8	.750in	.250in	336	168	84	---	---
MC7C200-24K4-8	.750in	.250in	336	168	84	.188in	---
MC7C200-24W06-8	.750in	.250in	336	168	84	.189in	---
MC7C200-24K4-10K1	.750in	.313in	336	168	84	.188in	.094in
MC7C200-24K4-10	.750in	.313in	336	168	84	.188in	---
MC7C200-24-8mm	.750in	8.00mm	336	168	84	---	---
MC7C200-24K4-8mm	.750in	8.00mm	336	168	84	.188in	---
MC7C200-24K4-8mmQ2	.750in	8.00mm	336	168	84	.188in	2.00mm
MC7C200-24K4-9mmQ3	.750in	9.00mm	336	168	84	.188in	3.00mm
MC7C200-24-12	.750in	.375in	336	168	84	---	---
MC7C200-24K4-12	.750in	.375in	336	168	84	.188in	---
MC7C200-24K4-12K1	.750in	.375in	336	168	84	.188in	.094in
MC7C200-24K4-12W02	.750in	.375in	336	168	84	.188in	.064in
MC7C200-24K4-12W04	.750in	.375in	336	168	84	.188in	.126in
MC7C200-24-10mm	.750in	10.00mm	336	168	84	---	---
MC7C200-24K4-10mm	.750in	10.00mm	336	168	84	.188in	---
MC7C200-24K4-11mmQ4	.750in	11.00mm	336	168	84	.188in	4.00mm
MC7C200-24-14	.750in	.438in	336	168	84	---	---
MC7C200-24-12mm	.750in	12.00mm	336	168	84	---	---
MC7C200-24-16	.750in	.500in	336	168	84	---	---
MC7C200-24-16W04	.750in	.500in	336	168	84	---	.126in
MC7C200-24K3-16K3	.750in	.500in	336	168	84	.125in	.125in
MC7C200-24K4-16	.750in	.500in	336	168	84	.188in	---
MC7C200-24K4-16K3	.750in	.500in	336	168	84	.188in	.125in
MC7C200-24K4-16K4	.750in	.500in	336	168	84	.188in	.188in
MC7C200-24K4-16W04	.750in	.500in	336	168	84	.188in	.126in
MC7C200-24K5-16K3	.750in	.500in	336	168	84	.250in	.125in
MC7C200-24Q6-16K3	.750in	.500in	336	168	84	6.00mm	.125in
MC7C200-24W06-16K3	.750in	.500in	336	168	84	.189in	.125in
MC7C200-24-14mm	.750in	14.00mm	336	168	84	---	---
MC7C200-24K4-14mmQ5	.750in	14.00mm	336	168	84	.188in	5.00mm
MC7C200-24-18	.750in	.563in	336	168	84	---	---
MC7C200-24K4-18K3	.750in	.563in	336	168	84	.188in	.125in
MC7C200-24-15mm	.750in	15.00mm	336	168	84	---	---
MC7C200-24K3-15mmQ5	.750in	15.00mm	336	168	84	.125in	5.00mm
MC7C200-24K4-15mmQ5	.750in	15.00mm	336	168	84	.188in	5.00mm
MC7C200-24-20	.750in	.625in	336	168	84	---	---
MC7C200-24-20K1	.750in	.625in	336	168	84	---	.094in

TABULATED DATA

Copyright HELICAL PRODUCTS CO

MATERIAL: 17-4PH CRES HT

FINISH: Natural

Drawing Number

MC7C200

REV

DO NOT SCALE DRAWING

SHT 7 of 9

ITEM DESCRIPTION (Part Number)	BORE SIZES		TORQUES (lbin)			KEYWAY Width	
	TOLERANCE +0.002in or +0.05mm -0.000in or 0		Momentary Dynamic	Non- Reversing	Shock or Reversing	TOLERANCE +0.002in or +0.05mm -0.000in or 0	
	Ø A1	Ø A2				W1	W2
MC7C200-24K4-20	.750in	.625in	336	168	84	.188in	---
MC7C200-24K4-20K1	.750in	.625in	336	168	84	.188in	.094in
MC7C200-24K4-20K3	.750in	.625in	336	168	84	.188in	.125in
MC7C200-24K4-20K4	.750in	.625in	336	168	84	.188in	.188in
MC7C200-24K4-20W04	.750in	.625in	336	168	84	.188in	.126in
MC7C200-24K5-20K4	.750in	.625in	336	168	84	.250in	.188in
MC7C200-24Q6-20K4	.750in	.625in	336	168	84	6.00mm	.188in
MC7C200-24W06-20K4	.750in	.625in	336	168	84	.189in	.188in
MC7C200-24-16mm	.750in	16.00mm	336	168	84	---	---
MC7C200-24K4-16mmQ5	.750in	16.00mm	336	168	84	.188in	5.00mm
MC7C200-24-17mm	.750in	17.00mm	336	168	84	---	---
MC7C200-24K4-17mmQ5	.750in	17.00mm	336	168	84	.188in	5.00mm
MC7C200-24-22	.750in	.688in	336	168	84	---	---
MC7C200-24K4-22K4	.750in	.688in	336	168	84	.188in	.188in
MC7C200-24K5-22K4	.750in	.688in	336	168	84	.250in	.188in
MC7C200-24-19mm	.750in	19.00mm	336	168	84	---	---
MC7C200-24K4-19mmQ5	.750in	19.00mm	336	168	84	.188in	5.00mm
MC7C200-24K4-19mmQ6	.750in	19.00mm	336	168	84	.188in	6.00mm
MC7C200-24-24	.750in	.750in	336	168	84	---	---
MC7C200-24K3-24W06	.750in	.750in	336	168	84	.125in	.189in
MC7C200-24K4-24	.750in	.750in	336	168	84	.188in	---
MC7C200-24K4-24K3	.750in	.750in	336	168	84	.188in	.125in
MC7C200-24K4-24K4	.750in	.750in	336	168	84	.188in	.188in
MC7C200-24K4-24W06	.750in	.750in	336	168	84	.188in	.189in
MC7C200-24K5-24K4	.750in	.750in	336	168	84	.250in	.188in
MC7C200-24K5-24K5	.750in	.750in	336	168	84	.250in	.250in
MC7C200-24Q5-24K4	.750in	.750in	336	168	84	5.00mm	.188in
MC7C200-24W06-24W06	.750in	.750in	336	168	84	.189in	.189in
MC7C200-24W07-24K4	.750in	.750in	336	168	84	.220in	.188in
MC7C200-25-19mm	.782in	19.00mm	336	168	84	---	---

TABULATED DATA

Copyright HELICAL PRODUCTS CO

MATERIAL: 17-4PH CRES HT

FINISH: Natural

Drawing Number

MC7C200

REV

DO NOT SCALE DRAWING

SHT 8 of 9

ITEM DESCRIPTION (Part Number)	BORE SIZES		TORQUES (lbin)			KEYWAY Width	
	TOLERANCE +0.02in -0.00in or +0.05mm 0		Momentary Dynamic	Non- Reversing	Shock or Reversing	TOLERANCE +0.02in -0.00in or +0.05mm 0	
	Ø A1	Ø A2				W1	W2
MC7C200-20mm-16	20.00mm	.500in	336	168	84	---	---
MC7C200-20mmQ6-16K3	20.00mm	.500in	336	168	84	6.00mm	.125in
MC7C200-20mm-20	20.00mm	.625in	336	168	84	---	---
MC7C200-20mmQ6-20K3	20.00mm	.625in	336	168	84	6.00mm	.125in
MC7C200-20mmQ6-20K4	20.00mm	.625in	336	168	84	6.00mm	.188in
MC7C200-20mmQ6-16mmQ5	20.00mm	16.00mm	336	168	84	6.00mm	5.00mm
MC7C200-20mm-19mm	20.00mm	19.00mm	336	168	84	---	---
MC7C200-20mm-24	20.00mm	.750in	336	168	84	---	---
MC7C200-20mmQ6-24	20.00mm	.750in	336	168	84	6.00mm	---
MC7C200-20mm-20mm	20.00mm	20.00mm	336	168	84	---	---
MC7C200-20mmQ6-20mmK4	20.00mm	20.00mm	336	168	84	6.00mm	.188in
MC7C200-20mmQ6-20mmQ5	20.00mm	20.00mm	336	168	84	6.00mm	5.00mm
MC7C200-26-16	.813in	.500in	336	168	84	---	---
MC7C200-21.64mm-20K4	21.64mm	.625in	336	168	84	---	.188in
MC7C200-22mm-16	22.00mm	.500in	336	168	84	---	---
MC7C200-22mm-20	22.00mm	.625in	336	168	84	---	---
MC7C200-22mmQ6-19mmQ6	22.00mm	19.00mm	336	168	84	6.00mm	6.00mm
MC7C200-22mmQ6-24K4	22.00mm	.750in	336	168	84	6.00mm	.188in
MC7C200-28-10	.875in	.313in	336	168	84	---	---
MC7C200-28-12	.875in	.375in	336	168	84	---	---
MC7C200-28-16	.875in	.500in	336	168	84	---	---
MC7C200-28K4-16W04	.875in	.500in	336	168	84	.188in	.126in
MC7C200-28-20	.875in	.625in	336	168	84	---	---
MC7C200-28K4-20K4	.875in	.625in	336	168	84	.188in	.188in
MC7C200-28K4-19mmQ6	.875in	19.00mm	336	168	84	.188in	6.00mm
MC7C200-28-24	.875in	.750in	336	168	84	---	---
MC7C200-28K4-24K4	.875in	.750in	336	168	84	.188in	.188in
MC7C200-24mm-10	24.00mm	.313in	336	168	84	---	---
MC7C200-24mmQ8-14K1	24.00mm	.438in	336	168	84	8.00mm	.094in
MC7C200-24mm-12mm	24.00mm	12.00mm	336	168	84	---	---
MC7C200-24mmQ8-20K4	24.00mm	.625in	336	168	84	8.00mm	.188in
MC7C200-24mmQ8-22K4	24.00mm	.688in	336	168	84	8.00mm	.188in
MC7C200-24mm-24	24.00mm	.750in	336	168	84	---	---

TABULATED DATA

Copyright HELICAL PRODUCTS CO

MATERIAL: 17-4PH CRES HT

FINISH: Natural

Drawing Number

MC7C200

REV

DO NOT SCALE DRAWING

SHT 9 of 9

ITEM DESCRIPTION (Part Number)	BORE SIZES		TORQUES (lbin)			KEYWAY Width	
	TOLERANCE +0.02in or +0.05mm -0.00in or 0		Momentary Dynamic	Non- Reversing	Shock or Reversing	TOLERANCE +0.02in or +0.05mm -0.00in or 0	
	Ø A1	Ø A2				W1	W2
MC7C200-24mmQ8-24K4	24.00mm	.750in	336	168	84	8.00mm	.188in
MC7C200-24.02mmQ8-20K4	24.02mm	.625in	336	168	84	8.00mm	.188in
MC7C200-25mm-20K4	25.00mm	.625in	336	168	84	---	.188in
MC7C200-32-8	1.000in	.250in	336	168	84	---	---
MC7C200-32K4-10	1.000in	.313in	336	168	84	.188in	---
MC7C200-32-12	1.000in	.375in	336	168	84	---	---
MC7C200-32-10mm	1.000in	10.00mm	336	168	84	---	---
MC7C200-32-16	1.000in	.500in	336	168	84	---	---
MC7C200-32-16K3	1.000in	.500in	336	168	84	---	.125in
MC7C200-32-20	1.000in	.625in	336	168	84	---	---
MC7C200-32K5-20K4	1.000in	.625in	336	168	84	.250in	.188in
MC7C200-32K5-19mmQ6	1.000in	19.00mm	336	168	84	.250in	6.00mm
MC7C200-32-24	1.000in	.750in	336	168	84	---	---
MC7C200-32K5-24K4	1.000in	.750in	336	168	84	.250in	.188in
MC7C200-32K5-20mmQ6	1.000in	20.00mm	336	168	84	.250in	6.00mm
MC7C200-32-22mm	1.000in	22.00mm	336	168	84	---	---
MC7C200-32-28K4	1.000in	.875in	336	168	84	---	.188in
MC7C200-32-24mm	1.000in	24.00mm	336	168	84	---	---
MC7C200-32-32	1.000in	1.000in	336	168	84	---	---
MC7C200-32K5-32K5	1.000in	1.000in	336	168	84	.250in	.250in
MC7C200-25.66mmK5-28K4	25.66mm	.875in	336	168	84	.250in	.188in
MC7C200-36-12	1.125in	.375in	336	168	84	---	---
MC7C200-36K5-14K1	1.125in	.438in	336	168	84	.250in	.094in
MC7C200-36-16mm	1.125in	16.00mm	336	168	84	---	---
MC7C200-36K5-24K4	1.125in	.750in	336	168	84	.250in	.188in
MC7C200-36K5-32K5	1.125in	1.000in	336	168	84	.250in	.250in
MC7C200-40K6-32K5	1.250in	1.000in	336	168	84	.313in	.250in
MC7C200-40-40	1.250in	1.250in	336	168	84	---	---
MC7C200-32mm-18mm	32.00mm	18.00mm	336	168	84	---	---
MC7C200-32mmQ10-24K4	32.00mm	.750in	336	168	84	10.00mm	.188in