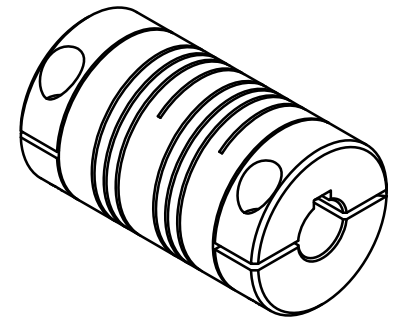
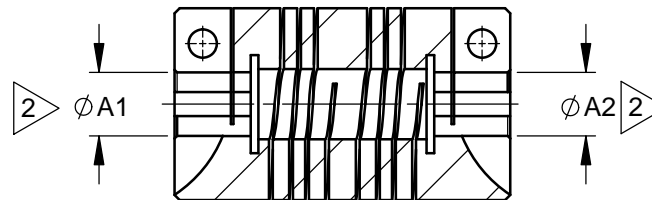
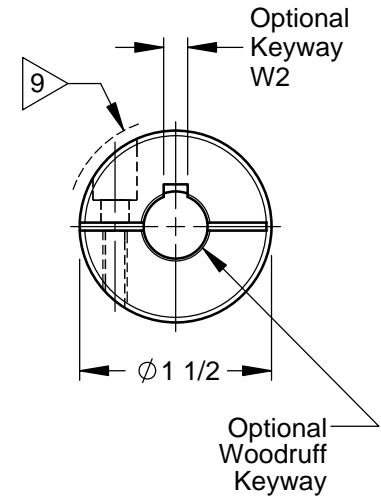
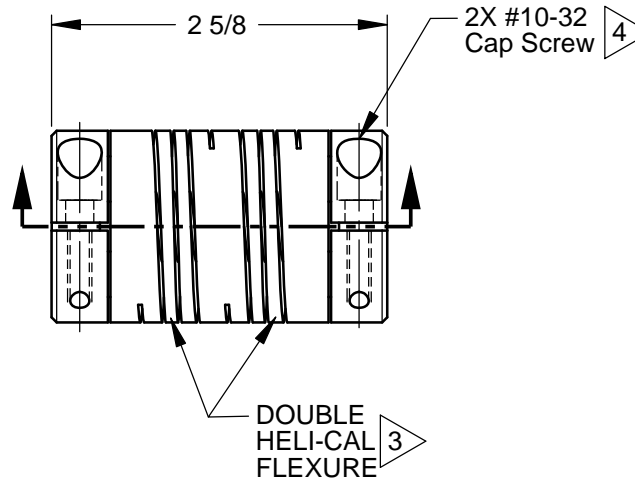
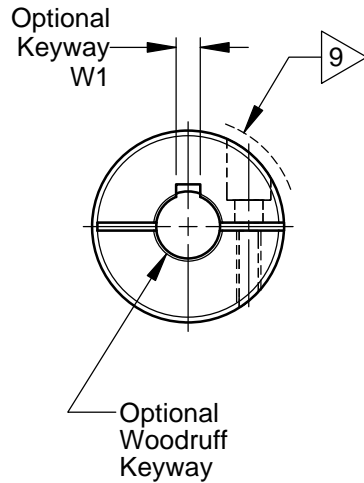


NOTES:

- 1 Refer to Secondary Sheet for Tabulated Data.
- 2 $\phi A1$ and $\phi A2$ shafts may near butt except:
When any Bore $> \phi .630$ the component shaft MAX penetration is .655 or when both Bores $> \phi .630$ the component shaft MAX penetration is .655 & the MIN shaft end to shaft end is 1.315.
- 3 Hubs and HELI-CAL FLEXURE are made from a single piece of material.
- 4 Integral Clamp attachment, hex, socket, cap screw furnished: both hubs.
- 5 Backlash: None. No lubrication required.
- 6 Permitted axial motion from free length: $\pm .010$
- 7 Working torque ratings are based upon continuous duty with noted misalignments applied separately and may be increased with improved alignment: Refer to Tabulated Data
- 8 Permissible shaft misalignment: Angular, up to 5°
Offset, up to .030 (FIM, .060)
- 9 Part will have a $\phi 1.706$ clearance on both ends when any Bore $> \phi .692$ thru $\phi .908$.
- 10 Weight based on MC7C150-16K3-16K3



NOTICE: THE INFORMATION AND DATA CONTAINED HEREIN IS CONSIDERED PROPRIETARY TO HELICAL PRODUCTS COMPANY, AND SHALL REMAIN THE EXCLUSIVE PROPERTY OF HELICAL. THE HOLDER WILL ASSUME CUSTODY AND CONTROL THAT THIS DOCUMENT WILL NOT BE COPIED, REPRODUCED OR DISCLOSED WITHOUT THE EXPRESS WRITTEN CONSENT OF HELICAL. POSSESSION OF THIS DOCUMENT DOES NOT CONSTITUTE A GRANT TO MANUFACTURE ANY ITEM. Copyright HELICAL PRODUCTS CO.

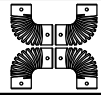
11-25-14	---	ECR#14102000 Added calc. weight	DCE	EK
	---	Tabulated data format update	CL	
11-04-13	---	Redrawn in Solidworks	JAJ	EK
10-13-98	---	Clerical format update / No revision	BJM	MC
DATE	LTR	REVISION	APVR	

Unless otherwise specified all tolerances and dimensions are in inches.

Inch	Metric
X/XX \pm 1/64	X \pm 0.5mm
.XX \pm .01	X.X \pm 0.25mm
.XXX \pm .005	X.XX \pm 0.15mm

Angles $\pm 2^\circ$

Break sharp corners .010 MAX
All surface finish 63 roughness
Do Not Scale Drawing



HELICAL
PRODUCTS COMPANY

901 West McCoy Lane
SANTA MARIA, CA. 93456 U.S.A.
PHONE (805) 928-3851 FSC13201

DRAWN BY	ER	DATE	11-12-80	TITLE	HELICAL FLEXIBLE SHAFT COUPLING	
CHECKED BY	MC	DATE	11-12-80	MATL	17-4PH CRES HT	
APPRVD BY	APA	DATE	11-12-80	FINISH	Natural	
WEIGHT (calculated) 447 g				DRAWING NUMBER		REV
SHEET 1 of 8				MC7C150		

TABULATED DATA

Copyright HELICAL PRODUCTS CO

MATERIAL: 17-4PH CRES HT

FINISH: Natural

Drawing Number

MC7C150

REV

DO NOT SCALE DRAWING

SHT 2 of 8

ITEM DESCRIPTION (Part Number)	BORE SIZES		TORQUES (lbin)			KEYWAY Width	
	TOLERANCE		Momentary Dynamic	Non- Reversing	Shock or Reversing	TOLERANCE	
	ϕ A1	ϕ A2				W1	W2
MC7C150-BLANK (STD)	.295in	.234in	---	---	---	---	---
MC7C150-10-10	.313in	.313in	260	130	65	---	---
MC7C150-8mm-8	8.00mm	.250in	260	130	65	---	---
MC7C150-12-6	.375in	.188in	248	124	62	---	---
MC7C150-12-6mm	.375in	6.00mm	248	124	62	---	---
MC7C150-12-8	.375in	.250in	248	124	62	---	---
MC7C150-12-10	.375in	.313in	248	124	62	---	---
MC7C150-12K1-10K1	.375in	.313in	248	124	62	.094	.094
MC7C150-12-8mm	.375in	8.00mm	248	124	62	---	---
MC7C150-12-12	.375in	.375in	248	124	62	---	---
MC7C150-12K1-12K1	.375in	.375in	248	124	62	.094	.094
MC7C150-12K3-12K3	.375in	.375in	248	124	62	.125	.125
MC7C150-12W02-12W02	.375in	.375in	248	124	62	.064	.064
MC7C150-12W03-12W03	.375in	.375in	248	124	62	.095	.095
MC7C150-10mm-12	10.00mm	.375in	240	120	60	---	---
MC7C150-10mm-10mm	10.00mm	10.00mm	240	120	60	---	---
MC7C150-13-12	.406in	.375in	234	117	58	---	---
MC7C150-11mm-12	11.00mm	.375in	208	104	52	---	---
MC7C150-11mmQ4-11mmQ4	11.00mm	11.00mm	208	104	52	4.00mm	4.00mm
MC7C150-11mmQ4-12K1	11.00mm	.375in	208	104	52	4.00mm	.094
MC7C150-14-14	.438in	.438in	224	112	56	---	---
MC7C150-12mm-10mm	12.00mm	10.00mm	208	104	52	---	---
MC7C150-12mm-12mm	12.00mm	12.00mm	208	104	52	---	---
MC7C150-12mmQ4-12mmQ4	12.00mm	12.00mm	208	104	52	4.00mm	4.00mm

TABULATED DATA

Copyright HELICAL PRODUCTS CO

MATERIAL: 17-4PH CRES HT

FINISH: Natural

Drawing Number

MC7C150

REV

DO NOT SCALE DRAWING

SHT 3 of 8

ITEM DESCRIPTION (Part Number)	BORE SIZES		TORQUES (lbin)			KEYWAY Width	
	TOLERANCE		Momentary Dynamic	Non- Reversing	Shock or Reversing	TOLERANCE	
	ϕ A1	ϕ A2				W1	W2
MC7C150-16-8	.500in	.250in	200	100	50	---	---
MC7C150-16-7mm	.500in	7.00mm	200	100	50	---	---
MC7C150-16-10	.500in	.313in	200	100	50	---	---
MC7C150-16K3-10K1	.500in	.313in	200	100	50	.125	.094
MC7C150-16K3-10K3	.500in	.313in	200	100	50	.125	.125
MC7C150-16-8mm	.500in	8.00mm	200	100	50	---	---
MC7C150-16-11	.500in	.344in	200	100	50	---	---
MC7C150-16-12	.500in	.375in	200	100	50	---	---
MC7C150-16-12K3	.500in	.375in	200	100	50	---	.125
MC7C150-16K3-12	.500in	.375in	200	100	50	.125	---
MC7C150-16K3-12K1	.500in	.375in	200	100	50	.125	.094
MC7C150-16W04-12W04	.500in	.375in	200	100	50	.126	.126
MC7C150-16-10mm	.500in	10.00mm	200	100	50	---	---
MC7C150-16-10mmQ3	.500in	10.00mm	200	100	50	---	3.00mm
MC7C150-16K3-10mmQ3	.500in	10.00mm	200	100	50	.125	3.00mm
MC7C150-16-13	.500in	.406in	200	100	50	---	---
MC7C150-16-11mm	.500in	11.00mm	200	100	50	---	---
MC7C150-16K3-11mmQ4	.500in	11.00mm	200	100	50	.125	4.00mm
MC7C150-16-14	.500in	.438in	200	100	50	---	---
MC7C150-16K3-14K3	.500in	.438in	200	100	50	.125	.125
MC7C150-16-11.43mm	.500in	11.43mm	200	100	50	---	---
MC7C150-16-11.8mm	.500in	11.80mm	200	100	50	---	---
MC7C150-16-12mm	.500in	12.00mm	200	100	50	---	---
MC7C150-16K3-12mmQ4	.500in	12.00mm	200	100	50	.125	4.00mm
MC7C150-16-16	.500in	.500in	200	100	50	---	---
MC7C150-16K3-16	.500in	.500in	200	100	50	.125	---
MC7C150-16K3-16K3	.500in	.500in	200	100	50	.125	.125
MC7C150-16K4-16K4	.500in	.500in	200	100	50	.188	.188
MC7C150-16W04-16	.500in	.500in	200	100	50	.126	---
MC7C150-16-15mm	.500in	15.00mm	200	100	50	---	---
MC7C150-13mm-13mm	13.00mm	13.00mm	200	100	50	---	---

TABULATED DATA

Copyright HELICAL PRODUCTS CO

MATERIAL: 17-4PH CRES HT

FINISH: Natural

Drawing Number

MC7C150

REV

DO NOT SCALE DRAWING

SHT 4 of 8

ITEM DESCRIPTION (Part Number)	BORE SIZES		TORQUES (lbin)			KEYWAY Width	
	TOLERANCE +0.002in or +0.05mm -0.000in or 0		Momentary Dynamic	Non- Reversing	Shock or Reversing	TOLERANCE +0.002in or +0.05mm -0.000in or 0	
	Ø A1	Ø A2				W1	W2
MC7C150-14mm-8	14.00mm	.250in	180	90	45	---	---
MC7C150-14mmQ5-10K1	14.00mm	.313in	180	90	45	5.00mm	.094
MC7C150-14mm-8mm	14.00mm	8.00mm	180	90	45	---	---
MC7C150-14mm-12	14.00mm	.375in	180	90	45	---	---
MC7C150-14mmQ5-12	14.00mm	.375in	180	90	45	5.00mm	---
MC7C150-14mmQ5-12K1	14.00mm	.375in	180	90	45	5.00mm	.094
MC7C150-14mm-10mm	14.00mm	10.00mm	180	90	45	---	---
MC7C150-14mmQ5-10mmQ3	14.00mm	10.00mm	180	90	45	5.00mm	3.00mm
MC7C150-14mm-13	14.00mm	.406in	180	90	45	---	---
MC7C150-14mm-11mm	14.00mm	11.00mm	180	90	45	---	---
MC7C150-14mm-14	14.00mm	.438in	180	90	45	---	---
MC7C150-14mm-16	14.00mm	.500in	180	90	45	---	---
MC7C150-14mmQ5-16K3	14.00mm	.500in	180	90	45	5.00mm	.125
MC7C150-14mm-14mm	14.00mm	14.00mm	180	90	45	---	---
MC7C150-14mmQ5-14mmQ5	14.00mm	14.00mm	180	90	45	5.00mm	5.00mm
MC7C150-18-12	.563in	.375in	172	86	43	---	---
MC7C150-18K3-12	.563in	.375in	172	86	43	.125	---
MC7C150-18K3-12K1	.563in	.375in	172	86	43	.125	.094
MC7C150-18-16	.563in	.500in	172	86	43	---	---
MC7C150-18K3-16	.563in	.500in	172	86	43	.125	---
MC7C150-18K3-16K3	.563in	.500in	172	86	43	.125	.125
MC7C150-18K4-14mmQ5	.563in	14.00mm	172	86	43	.188	5.00mm
MC7C150-18-18	.563in	.563in	172	86	43	---	---
MC7C150-18K3-18K3	.563in	.563in	172	86	43	.125	.125
MC7C150-15mm-12	15.00mm	.375in	160	80	40	---	---
MC7C150-15mm-16	15.00mm	.500in	160	80	40	---	---
MC7C150-15mm-14mm	15.00mm	14.00mm	160	80	40	---	---
MC7C150-15mm-15mm	15.00mm	15.00mm	160	80	40	---	---
MC7C150-15mmQ5-15mmQ5	15.00mm	15.00mm	160	80	40	5.00mm	5.00mm
MC7C150-15.5mm-16	15.50mm	.500in	155	77	38	---	---

TABULATED DATA

Copyright HELICAL PRODUCTS CO

MATERIAL: 17-4PH CRES HT

FINISH: Natural

Drawing Number

MC7C150

REV

DO NOT SCALE DRAWING

SHT 5 of 8

ITEM DESCRIPTION (Part Number)	BORE SIZES		TORQUES (lbin)			KEYWAY Width	
	TOLERANCE		Momentary Dynamic	Non- Reversing	Shock or Reversing	TOLERANCE	
	ϕ A1	ϕ A2				$\frac{+.002in}{-.000in}$ or $\frac{+.05mm}{0}$	$\frac{+.002in}{-.000in}$ or $\frac{+.05mm}{0}$
MC7C150-20Q6-6	.625in	.188in	152	76	38	6.00mm	---
MC7C150-20-6mm	.625in	6.00mm	152	76	38	---	---
MC7C150-20-8	.625in	.250in	152	76	38	---	---
MC7C150-20K4-8	.625in	.250in	152	76	38	.188	---
MC7C150-20-10	.625in	.313in	152	76	38	---	---
MC7C150-20-8mm	.625in	8.00mm	152	76	38	---	---
MC7C150-20-12	.625in	.375in	152	76	38	---	---
MC7C150-20K3-12	.625in	.375in	152	76	38	.125	---
MC7C150-20K4-12	.625in	.375in	152	76	38	.188	---
MC7C150-20K4-12K1	.625in	.375in	152	76	38	.188	.094
MC7C150-20K4-12K3	.625in	.375in	152	76	38	.188	.125
MC7C150-20K4-12K4	.625in	.375in	152	76	38	.188	.188
MC7C150-20-10mm	.625in	10.00mm	152	76	38	---	---
MC7C150-20K4-10mmQ3	.625in	10.00mm	152	76	38	.188	3.00mm
MC7C150-20-14	.625in	.438in	152	76	38	---	---
MC7C150-20K4-14K1	.625in	.438in	152	76	38	.188	.094
MC7C150-20-12mm	.625in	12.00mm	152	76	38	---	---
MC7C150-20K4-12mmK5	.625in	12.00mm	152	76	38	.188	.250
MC7C150-20K4-12mmQ3	.625in	12.00mm	152	76	38	.188	3.00mm
MC7C150-20K4-12mmQ4	.625in	12.00mm	152	76	38	.188	4.00mm
MC7C150-20-16	.625in	.500in	152	76	38	---	---
MC7C150-20-16K3	.625in	.500in	152	76	38	---	.125
MC7C150-20K3-16	.625in	.500in	152	76	38	.125	---
MC7C150-20K3-16K3	.625in	.500in	152	76	38	.125	.125
MC7C150-20K4-16	.625in	.500in	152	76	38	.188	---
MC7C150-20K4-16K3	.625in	.500in	152	76	38	.188	.125
MC7C150-20K4-16K4	.625in	.500in	152	76	38	.188	.188
MC7C150-20W04-16K3	.625in	.500in	152	76	38	.126	.125
MC7C150-20W04-16W04	.625in	.500in	152	76	38	.126	.126
MC7C150-20-14mm	.625in	14.00mm	152	76	38	---	---
MC7C150-20-14mmQ5	.625in	14.00mm	152	76	38	---	5.00mm
MC7C150-20K4-14mmQ5	.625in	14.00mm	152	76	38	.188	5.00mm
MC7C150-20-18	.625in	.563in	152	76	38	---	---
MC7C150-20K4-18K3	.625in	.563in	152	76	38	.188	.125
MC7C150-20K4-18K4	.625in	.563in	152	76	38	.188	.188
MC7C150-20-15mm	.625in	15.00mm	152	76	38	---	---
MC7C150-20K4-15mmK3	.625in	15.00mm	152	76	38	.188	.125
MC7C150-20K4-15mmK4	.625in	15.00mm	152	76	38	.188	.188

TABULATED DATA

Copyright HELICAL PRODUCTS CO

MATERIAL: 17-4PH CRES HT

FINISH: Natural

Drawing Number

MC7C150

REV

DO NOT SCALE DRAWING

SHT 6 of 8

ITEM DESCRIPTION (Part Number)	BORE SIZES		TORQUES (lbin)			KEYWAY Width	
	TOLERANCE +0.002in or +0.05mm -0.000in or 0		Momentary Dynamic	Non- Reversing	Shock or Reversing	TOLERANCE +0.002in or +0.05mm -0.000in or 0	
	Ø A1	Ø A2				W1	W2
MC7C150-20K4-15mmQ5	.625in	15.00mm	152	76	38	.188	5.00mm
MC7C150-20W04-15mmQ5	.625in	15.00mm	152	76	38	.126	5.00mm
MC7C150-20-20	.625in	.625in	152	76	38	---	---
MC7C150-20-20K4	.625in	.625in	152	76	38	---	.188
MC7C150-20K3-20	.625in	.625in	152	76	38	.125	---
MC7C150-20K3-20K3	.625in	.625in	152	76	38	.125	.125
MC7C150-20K3-20K4	.625in	.625in	152	76	38	.125	.188
MC7C150-20K4-20	.625in	.625in	152	76	38	.188	---
MC7C150-20K4-20K3	.625in	.625in	152	76	38	.188	.125
MC7C150-20K4-20K4	.625in	.625in	152	76	38	.188	.188
MC7C150-20K4-20W04	.625in	.625in	152	76	38	.188	.126
MC7C150-20K5-20K5	.625in	.625in	152	76	38	.250	.250
MC7C150-16mm-9.5mm	16.00mm	9.50mm	152	76	38	---	---
MC7C150-16mmQ5-9.5mm	16.00mm	9.50mm	152	76	38	5.00mm	---
MC7C150-16mm-12	16.00mm	.375in	152	76	38	---	---
MC7C150-16mm-12mm	16.00mm	12.00mm	152	76	38	---	---
MC7C150-16mm-16	16.00mm	.500in	152	76	38	---	---
MC7C150-16mmQ5-16	16.00mm	.500in	152	76	38	5.00mm	---
MC7C150-16mmQ5-16K3	16.00mm	.500in	152	76	38	5.00mm	.125
MC7C150-16mm-18	16.00mm	.563in	152	76	38	---	---
MC7C150-16mm-20	16.00mm	.625in	152	76	38	---	---
MC7C150-16mmK4-20K4	16.00mm	.625in	152	76	38	.188	.188
MC7C150-16mmQ4-20K4	16.00mm	.625in	152	76	38	4.00mm	.188
MC7C150-16mmQ5-20	16.00mm	.625in	152	76	38	5.00mm	---
MC7C150-16mmQ5-20K3	16.00mm	.625in	152	76	38	5.00mm	.125
MC7C150-16mmQ5-20K4	16.00mm	.625in	152	76	38	5.00mm	.188
MC7C150-16mmQ5-20W04	16.00mm	.625in	152	76	38	5.00mm	.126
MC7C150-16mm-16mm	16.00mm	16.00mm	152	76	38	---	---
MC7C150-16mmQ5-16mmQ5	16.00mm	16.00mm	152	76	38	5.00mm	5.00mm
MC7C150-17mm-16	17.00mm	.500in	152	76	38	---	---
MC7C150-17mm-16K3	17.00mm	.500in	152	76	38	---	.125
MC7C150-17mm-20	17.00mm	.625in	152	76	38	---	---
MC7C150-17.07mm-16	17.07mm	.500in	152	76	38	---	---
MC7C150-BLANK (NON STD)	.675in	.221in	---	---	---	---	---

TABULATED DATA

Copyright HELICAL PRODUCTS CO

MATERIAL: 17-4PH CRES HT

FINISH: Natural

Drawing Number

MC7C150

REV

DO NOT SCALE DRAWING

SHT 7 of 8

ITEM DESCRIPTION (Part Number)	BORE SIZES		TORQUES (lbin)			KEYWAY Width	
	TOLERANCE +0.002in or +0.05mm -0.000in or 0		Momentary Dynamic	Non- Reversing	Shock or Reversing	TOLERANCE +0.002in or +0.05mm -0.000in or 0	
	Ø A1	Ø A2				W1	W2
MC7C150-22-12	.688in	.375in	152	76	38	---	---
MC7C150-18mm-20	18.00mm	.625in	152	76	38	---	---
MC7C150-19mm-12	19.00mm	.375in	152	76	38	---	---
MC7C150-19mm-10mm	19.00mm	10.00mm	152	76	38	---	---
MC7C150-19mmQ6-16K3	19.00mm	.500in	152	76	38	6.00mm	.125
MC7C150-19mmQ6-20K4	19.00mm	.625in	152	76	38	6.00mm	.188
MC7C150-24K4-6mm	.750in	6.00mm	152	76	38	.188	---
MC7C150-24-10	.750in	.313in	152	76	38	---	---
MC7C150-24K4-10K1	.750in	.313in	152	76	38	.188	.094
MC7C150-24-12	.750in	.375in	152	76	38	---	---
MC7C150-24K4-12	.750in	.375in	152	76	38	.188	---
MC7C150-24K4-12K1	.750in	.375in	152	76	38	.188	.094
MC7C150-24K4-12K3	.750in	.375in	152	76	38	.188	.125
MC7C150-24-10mm	.750in	10.00mm	152	76	38	---	---
MC7C150-24K4-10mm	.750in	10.00mm	152	76	38	.188	---
MC7C150-24-16	.750in	.500in	152	76	38	---	---
MC7C150-24K4-16	.750in	.500in	152	76	38	.188	---
MC7C150-24K4-16K3	.750in	.500in	152	76	38	.188	.125
MC7C150-24K5-16K3	.750in	.500in	152	76	38	.250	.125
MC7C150-24-14mm	.750in	14.00mm	152	76	38	---	---
MC7C150-24K4-14mm	.750in	14.00mm	152	76	38	.188	---
MC7C150-24K4-14mmQ5	.750in	14.00mm	152	76	38	.188	5.00mm
MC7C150-24K4-18K3	.750in	.563in	152	76	38	.188	.125
MC7C150-24-15mm	.750in	15.00mm	152	76	38	---	---
MC7C150-24-19	.750in	.594in	152	76	38	---	---
MC7C150-24-20	.750in	.625in	152	76	38	---	---
MC7C150-24K4-20K4	.750in	.625in	152	76	38	.188	.188
MC7C150-24-16mm	.750in	16.00mm	152	76	38	---	---
MC7C150-24-24	.750in	.750in	152	76	38	---	---
MC7C150-24K4-24K4	.750in	.750in	152	76	38	.188	.188

TABULATED DATA

Copyright HELICAL PRODUCTS CO

MATERIAL: 17-4PH CRES HT

FINISH: Natural

Drawing Number

MC7C150

REV

DO NOT SCALE DRAWING

SHT 8 of 8

ITEM DESCRIPTION (Part Number)	BORE SIZES		TORQUES (lbin)			KEYWAY Width	
	TOLERANCE +0.002in or +0.05mm -0.000in or 0		Momentary Dynamic	Non- Reversing	Shock or Reversing	TOLERANCE +0.002in or +0.05mm -0.000in or 0	
Ø A1	Ø A2	W1				W2	
MC7C150-20mm-12	20.00mm	.375in	152	76	38	---	---
MC7C150-20mmQ6-12	20.00mm	.375in	152	76	38	6.00mm	---
MC7C150-20mm-11mm	20.00mm	11.00mm	152	76	38	---	---
MC7C150-20mmQ6-12mm	20.00mm	12.00mm	152	76	38	6.00mm	---
MC7C150-20mm-16	20.00mm	.500in	152	76	38	---	---
MC7C150-20mm-20	20.00mm	.625in	152	76	38	---	---
MC7C150-20mm-24	20.00mm	.750in	152	76	38	---	---
MC7C150-28-8	.875in	.250in	152	76	38	---	---
MC7C150-28-10	.875in	.313in	152	76	38	---	---
MC7C150-28-8mm	.875in	8.00mm	152	76	38	---	---
MC7C150-28-12	.875in	.375in	152	76	38	---	---
MC7C150-28-16	.875in	.500in	152	76	38	---	---
MC7C150-28-20	.875in	.625in	152	76	38	---	---
MC7C150-28-20K4	.875in	.625in	152	76	38	---	.188
MC7C150-28K4-20K4	.875in	.625in	152	76	38	.188	.188
MC7C150-28-28	.875in	.875in	152	76	38	---	---