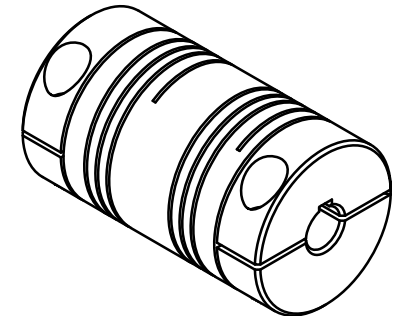
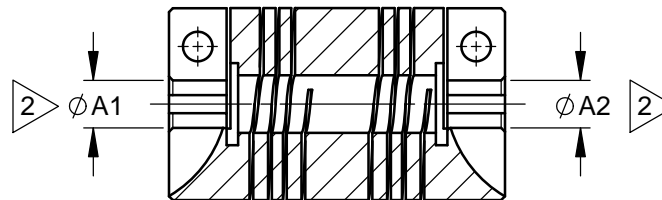
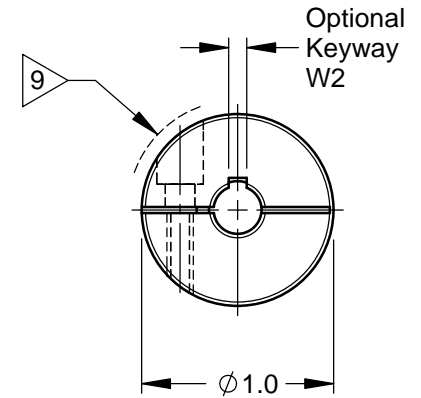
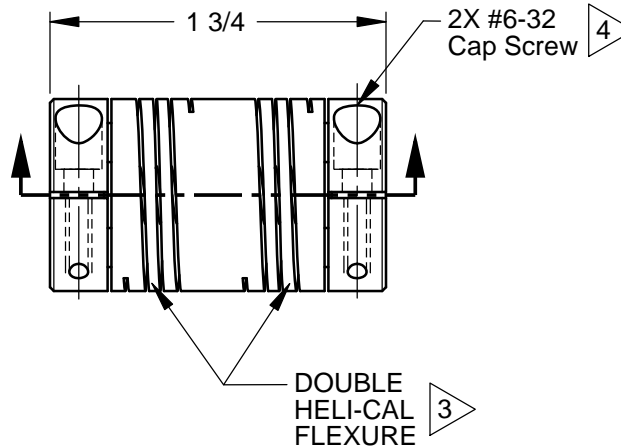
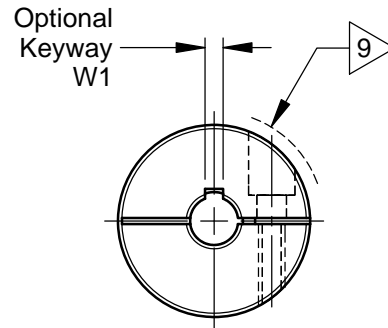


NOTES:

- 1 Refer to Secondary Sheet for Tabulated Data.
- 2 $\phi A1$ and $\phi A2$ shafts may near butt except:

When any Bore $> \phi .394$ the component shaft MAX penetration is .360 or when both Bores $> \phi .394$ the component shaft MAX penetration is .360 & the MIN shaft end to shaft end is 1.030.
- 3 Hubs and HELI-CAL FLEXURE are made from a single piece of material.
- 4 Integral Clamp attachment, hex. socket, cap screw furnished: both hubs.
- 5 Backlash: None. No lubrication required.
- 6 Permitted axial motion from free length: $\pm .010$
- 7 Working torque ratings are based upon continuous duty with noted misalignments applied separately and may be increased with improved alignment: Refer to Tabulated Data
- 8 Permissible shaft misalignment: Angular, up to 5°
Offset, up to .030 (FIM, .060)
- 9 Part will have a $\phi 1.146$ clearance on both ends when any Bore $> \phi .407$ thru $\phi .563$.



NOTICE: THE INFORMATION AND DATA CONTAINED HEREIN IS CONSIDERED PROPRIETARY TO HELICAL PRODUCTS COMPANY, INC., AND SHALL REMAIN THE EXCLUSIVE PROPERTY OF HELICAL. THE HOLDER WILL ASSUME CUSTODY AND CONTROL THAT THIS DOCUMENT WILL NOT BE COPIED, REPRODUCED OR DISCLOSED WITHOUT THE EXPRESS WRITTEN CONSENT OF HELICAL. POSSESSION OF THIS DOCUMENT DOES NOT CONSTITUTE A GRANT TO MANUFACTURE ANY ITEM. Copyright HELICAL PRODUCTS CO. INC.

		---	Tabulated data format update	CL	EK
11-04-13		---	Redrawn in Solidworks	JAJ	EK
10-28-98		---	Clerical format update / No revision	BJM	MC
DATE	LTR		REVISION		APVR

Unless otherwise specified all tolerances and dimensions are in inches.

Inch	Metric
X/XX \pm 1/64	X \pm 0.5mm
.XX \pm .01	X.X \pm 0.25mm
.XXX \pm .005	X.XX \pm 0.15mm
Angles $\pm 2^\circ$	

Break sharp corners .010 MAX
All surface finish 63 roughness
Do Not Scale Drawing



HELICAL
PRODUCTS COMPANY, INC.

901 West McCoy Lane
P.O. BOX 1069
SANTA MARIA, CA. 93456 U.S.A.
PHONE (805) 928-3851 FSC13201

DRAWN BY ER	DATE 08-17-81	TITLE HELICAL FLEXIBLE SHAFT COUPLING
CHECKED BY MC	DATE 08-17-81	MATL 17-4PH CRES HT
APPRVD BY APA	DATE 08-17-81	FINISH Natural
WEIGHT (calculated) 150g		DRAWING NUMBER MC7C100
SHEET 1 of 4		REV

TABULATED DATA

Copyright HELICAL PRODUCTS CO INC

MATERIAL: 17-4PH CRES HT

FINISH: Natural

Drawing Number

MC7C100

REV

DO NOT SCALE DRAWING

SHT 2 of 4

ITEM DESCRIPTION (Part Number)	BORE SIZES		TORQUES (lbin)			KEYWAY Width	
	TOLERANCE +0.002in or +0.05mm -0.000in or 0		Momentary Dynamic	Non- Reversing	Shock or Reversing	TOLERANCE +0.002in or +0.05mm -0.000in or 0	
	Ø A1	Ø A2				W1	W2
MC7C100-4mm-4mm	4.00mm	4.00mm	60	30	15	---	---
MC7C100-6mm-6mm	6.00mm	6.00mm	60	30	15	---	---
MC7C100-8-3mm	.250in	3.00mm	60	30	15	---	---
MC7C100-8-5	.250in	.157in	60	30	15	---	---
MC7C100-8-6	.250in	.188in	60	30	15	---	---
MC7C100-8-5mm	.250in	5.00mm	60	30	15	---	---
MC7C100-8-6mm	.250in	6.00mm	60	30	15	---	---
MC7C100-8-8	.250in	.250in	60	30	15	---	---
MC7C100-8K1-8K1	.250in	.250in	60	30	15	.094	.094
MC7C100-7mm-7mm	7.00mm	7.00mm	56	28	14	---	---
MC7C100-7.24mm-8	7.24mm	.250in	55	27	14	---	---
MC7C100-7.9mm-7.9mm	7.90mm	7.90mm	52	26	13	---	---
MC7C100-10-8	.313in	.250in	52	26	13	---	---
MC7C100-10-9	.313in	.282in	52	26	13	---	---
MC7C100-10-7.52mm	.313in	7.52mm	52	26	13	---	---
MC7C100-10-10	.313in	.313in	52	26	13	---	---
MC7C100-8mm-4mm	8.00mm	4.00mm	52	26	13	---	---
MC7C100-8mm-5mm	8.00mm	5.00mm	52	26	13	---	---
MC7C100-8mm-8	8.00mm	.250in	52	26	13	---	---
MC7C100-8mm-7mm	8.00mm	7.00mm	52	26	13	---	---
MC7C100-8mm-10	8.00mm	.313in	52	26	13	---	---
MC7C100-8mm-8mm	8.00mm	8.00mm	52	26	13	---	---
MC7C100-9mm-8	9.00mm	.250in	48	24	12	---	---
MC7C100-9mm-9mm	9.00mm	9.00mm	48	24	12	---	---

TABULATED DATA

Copyright HELICAL PRODUCTS CO INC

MATERIAL: 17-4PH CRES HT

FINISH: Natural

Drawing Number

MC7C100

REV

DO NOT SCALE DRAWING

SHT 3 of 4

ITEM DESCRIPTION (Part Number)	BORE SIZES		TORQUES (lbin)			KEYWAY Width	
	TOLERANCE +0.002in or +0.05mm -0.000in or 0		Momentary Dynamic	Non- Reversing	Shock or Reversing	TOLERANCE +0.002in or +0.05mm -0.000in or 0	
	Ø A1	Ø A2				W1	W2
MC7C100-12-6	.375in	.188in	44	22	11	---	---
MC7C100-12-5mm	.375in	5.00mm	44	22	11	---	---
MC7C100-12-6mm	.375in	6.00mm	44	22	11	---	---
MC7C100-12-8	.375in	.250in	44	22	11	---	---
MC7C100-12K1-8K1	.375in	.250in	44	22	11	.094	.094
MC7C100-12K3-8	.375in	.250in	44	22	11	.125	---
MC7C100-12-6.79mm	.375in	6.79mm	44	22	11	---	---
MC7C100-12-9	.375in	.282in	44	22	11	---	---
MC7C100-12-7.88mm	.375in	7.88mm	44	22	11	---	---
MC7C100-12-10	.375in	.313in	44	22	11	---	---
MC7C100-12K1-10K1	.375in	.313in	44	22	11	.094	.094
MC7C100-12W03-10K1	.375in	.313in	44	22	11	.095	.094
MC7C100-12-8mm	.375in	8.00mm	44	22	11	---	---
MC7C100-12K1-8mmQ2	.375in	8.00mm	44	22	11	.094	2.00mm
MC7C100-12-8.5mm	.375in	8.50mm	44	22	11	---	---
MC7C100-12-9mm	.375in	9.00mm	44	22	11	---	---
MC7C100-12-9.14mm	.375in	9.14mm	44	22	11	---	---
MC7C100-12-9.40mm	.375in	9.40mm	44	22	11	---	---
MC7C100-12-12	.375in	.375in	44	22	11	---	---
MC7C100-12K1-12	.375in	.375in	44	22	11	.094	---
MC7C100-12K1-12K1	.375in	.375in	44	22	11	.094	.094
MC7C100-12K1-12W02	.375in	.375in	44	22	11	.094	.064
MC7C100-12K3-12K1	.375in	.375in	44	22	11	.125	.094
MC7C100-12W04-12W04	.375in	.375in	44	22	11	.126	.126
MC7C100-12-16 Superseded	---	---	---	---	---	---	---
MC7C100-10mm-8	10.00mm	.250in	44	22	11	---	---
MC7C100-10mm-12	10.00mm	.375in	44	22	11	---	---
MC7C100-10mmQ3-12W03	10.00mm	.375in	44	22	11	3.00mm	.095
MC7C100-10mmW03-12W03	10.00mm	.375in	44	22	11	.095	.095
MC7C100-10mm-10mm	10.00mm	10.00mm	44	22	11	---	---
MC7C100-13-12	.407in	.375in	44	22	11	---	---
MC7C100-14-8	.438in	.250in	44	22	11	---	---
MC7C100-14-12	.438in	.375in	44	22	11	---	---
MC7C100-15-12	.469in	.375in	44	22	11	---	---

TABULATED DATA

Copyright HELICAL PRODUCTS CO INC

MATERIAL: 17-4PH CRES HT

FINISH: Natural

Drawing Number

MC7C100

REV

DO NOT SCALE DRAWING

SHT 4 of 4

ITEM DESCRIPTION (Part Number)	BORE SIZES		TORQUES (lbin)			KEYWAY Width	
	TOLERANCE		Momentary Dynamic	Non- Reversing	Shock or Reversing	TOLERANCE	
	ϕ A1	ϕ A2				$\frac{+.002in}{-.000in}$ or $\frac{+.05mm}{0}$	$\frac{+.002in}{-.000in}$ or $\frac{+.05mm}{0}$
MC7C100-12mm-12	12.00mm	.375in	44	22	11	---	---
MC7C100-12mm-12mm	12.00mm	12.00mm	44	22	11	---	---
MC7C100-16-5	.500in	.157in	44	22	11	---	---
MC7C100-16-6	.500in	.188in	44	22	11	---	---
MC7C100-16-6mm	.500in	6.00mm	44	22	11	---	---
MC7C100-16K3-6mm	.500in	6.00mm	44	22	11	.125	---
MC7C100-16K3-6mmQ2	.500in	6.00mm	44	22	11	.125	2.00mm
MC7C100-16-8	.500in	.250in	44	22	11	---	---
MC7C100-16-10	.500in	.313in	44	22	11	---	---
MC7C100-16-8mm	.500in	8.00mm	44	22	11	---	---
MC7C100-16-9mm	.500in	9.00mm	44	22	11	---	---
MC7C100-16-12	.500in	.375in	44	22	11	---	---
MC7C100-16K3-12W03	.500in	.375in	44	22	11	.125	.095
MC7C100-16-10mm	.500in	10.00mm	44	22	11	---	---
MC7C100-16K3-10mm	.500in	10.00mm	44	22	11	.125	---
MC7C100-16K3-10mmQ3	.500in	10.00mm	44	22	11	.125	3.00mm
MC7C100-16-11.58mm	.500in	11.58mm	44	22	11	---	---
MC7C100-16-11.65mm	.500in	11.65mm	44	22	11	---	---
MC7C100-16-15	.500in	.469in	44	22	11	---	---
MC7C100-16-12mmQ4	.500in	12.00mm	44	22	11	---	4.00mm
MC7C100-16-16	.500in	.500in	44	22	11	---	---
MC7C100-13mmK3-6mm	13.00mm	6.00mm	44	22	11	.125	---
MC7C100-13mm-10mm	13.00mm	10.00mm	44	22	11	---	---
MC7C100-14mm-8	14.00mm	.250in	44	22	11	---	---
MC7C100-14mm-12	14.00mm	.375in	44	22	11	---	---
MC7C100-18-8	.563in	.250in	44	22	11	---	---