

NOTES: See Tabulated Sheet

- 1 Relief permits component shafts to near butt.
- 2 Hubs and HELI-CAL FLEXURE are made from a single piece of material.
- 3 Set Screw attachment, hex. socket, cup point set screw furnished: both hubs.

Set Screw size based on bore size:

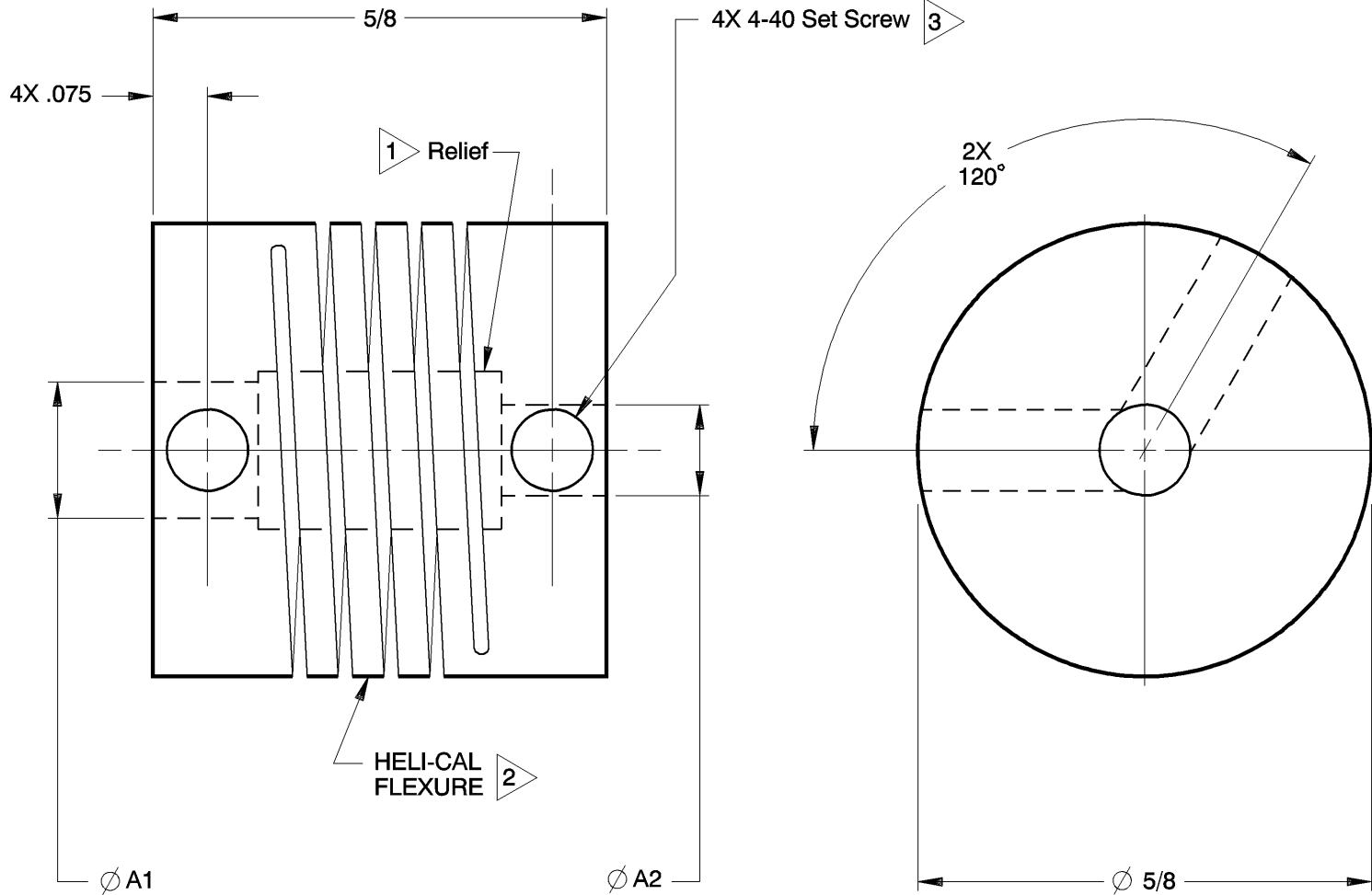
- .078in thru .093in : 1-72
- .094in thru .124in : 2-56
- .125in thru .375in : 4-40

- 4 Backlash: None. No lubrication required.
- 5 Permitted axial motion from free length: $\pm .010$ in.
- 6 RPM: Up to 10,000, depending upon application.
- 7 Working torque ratings are based upon continuous duty with noted misalignments applied separately and may be increased with improved alignment:

See Tabulated Sheet

- 8 Permissible shaft misalignment:

Angular, up to 5 degrees.
Offset, up to .010in.
(TIR, .020in.)



AR062-6-4 SHOWN

NOTICE: THE INFORMATION AND DATA CONTAINED HEREIN IS CONSIDERED PROPRIETARY TO HELICAL PRODUCTS COMPANY, INC., AND SHALL REMAIN THE EXCLUSIVE PROPERTY OF HELICAL. THE HOLDER WILL ASSUME CUSTODY AND CONTROL THAT THIS DOCUMENT WILL NOT BE COPIED, REPRODUCED OR DISCLOSED WITHOUT THE EXPRESS WRITTEN CONSENT OF HELICAL. POSSESSION OF THIS DOCUMENT DOES NOT CONSTITUTE A GRANT TO MANUFACTURE ANY ITEMS.

DO NOT SCALE DRAWING.

12-18-09	---	Finish was Chromic Acid Anodize; Updated GD&T	HG	JAJ
8-10-98		Clerical format update/ No revision	BJM	MC
DATE	LTR	REVISION	CHK	

Unless otherwise noted dimensions in inches.

Tolerances are:
Fractions: $\pm 1/64$
Decimals: $.XX \pm .010$
 $.XXX \pm .005$
 $.XXX \pm .0010$
Angles: ± 2 degrees
Break sharp corners .010 max.

APPROVALS	DATE
DRAWN MM	1-3-80
CHECKED MC	1-3-80
PRODN APA	1-3-80
ISSUED	
WEIGHT	7g (calc)
SCALE	4/1
SIZE	A

<p>HELICAL PRODUCTS CO., INC. P.O. BOX 1069 SANTA MARIA, CA. 93456 U.S.A. PHONE (805) 928-3851 FSC13201</p>	
TITLE	HELICAL FLEXIBLE SHAFT COUPLING
MATERIAL	7075-T6 Aluminum Alloy
FINISH	Anodize per HPS1000
DWG NO	AR062

Printed 2/17/2010 3:20:37 PM by JulesJ

ADDITION DATE	PART NUMBER	BORE TOLERANCES		TORQUES (lbin)			TORSIONAL FLEXIBILITY deg/lbin	MASS MOMENT OF INERTIA	COMMENTS	A1	A2
		+.002in -.000in	or +.05mm -.00mm	Non-reversing	Shock or Reversing	Momentary					
09 Mar 88	AR062-4M-4M	.120in	.120in	7	3	14					
11 May 00	AR062-4-2mm	.125in	2.00mm	7	3	14					
27 Jun 88	AR062-4-3	.125in	.094in	7	3	14					
11 May 00	AR062-4-3mm	.125in	3.00mm	7	3	14					
09 Mar 88	AR062-4-4	.125in	.125in	7	3	14					
09 Mar 88	AR062-3.82mm-4	3.82mm	.125in	6	3	12					
09 Mar 88	AR062-5-3mm	.157in	3.00mm	6	3	12					
09 Mar 88	AR062-5-4	.157in	.125in	6	3	12					
09 Mar 88	AR062-5-5	.157in	.157in	6	3	12					
27 Jun 88	AR062-4mm-3mm	4.00mm	3.00mm	6	3	12					
09 Mar 88	AR062-4mm-4mm	4.00mm	4.00mm	6	3	12					
09 Mar 88	AR062-6-2mm	.188in	2.00mm	5.0	2.5	10.0					
	AR062-6-3M	.188in	.090in	5.0	2.5	10.0					
09 Mar 88	AR062-6-3	.188in	.094in	5.0	2.5	10.0					
09 Mar 88	AR062-6-2.5mm	.188in	2.50mm	5.0	2.5	10.0					
09 Mar 88	AR062-6-3mm	.188in	3.00mm	5.0	2.5	10.0					
09 Mar 88	AR062-6-4M	.188in	.120in	5.0	2.5	10.0					
09 Mar 88	AR062-6-4	.188in	.125in	5.0	2.5	10.0					
09 Mar 88	AR062-6-5	.188in	.157in	5.0	2.5	10.0					
09 Mar 88	AR062-6-4mm	.188in	4.00mm	5.0	2.5	10.0					
	AR062-6-4.5mm	.188in	4.50mm	5.0	2.5	10.0					
09 Mar 88	AR062-6-6	.188in	.188in	5.0	2.5	10.0					
09 Mar 88	AR062-6-5mm	.188in	5.00mm	5.0	2.5	10.0					
23 Jun 89	AR062-5mm-4	5.00mm	.125in	4.8	2.4	9.6					
23 Jun 89	AR062-5mm-6	5.00mm	.188in	4.8	2.4	9.6					
23 Jun 89	AR062-5mm-5mm	5.00mm	5.00mm	4.8	2.4	9.6					
	AR062-7-7	*.219in	*.219in	5.0	2.5	10.0					
04 Sep 90	AR062-6mm-5	*6.00mm	.157in	5.0	2.5	10.0					
22 Feb 02	AR062-6mm-6	*6.00mm	.188in	5.0	2.5	10.0					
27 Jun 88	AR062-6mm-5mm	*6.00mm	5.00mm	5.0	2.5	10.0					
27 Jun 88	AR062-6mm-6mm	*6.00mm	*6.00mm	5.0	2.5	10.0					

* NOTE: Bores greater than .197in Dia: bore depth is .145in

NOTICE: THE INFORMATION AND DATA CONTAINED HEREIN IS CONSIDERED PROPRIETARY TO HELICAL PRODUCTS COMPANY, INC., AND SHALL REMAIN THE EXCLUSIVE PROPERTY OF HELICAL. THE HOLDER WILL ASSUME CUSTODY AND CONTROL THAT THIS DOCUMENT WILL NOT BE COPIED, REPRODUCED OR DISCLOSED WITHOUT THE EXPRESS WRITTEN CONSENT OF HELICAL. POSSESSION OF THIS DOCUMENT DOES NOT CONSTITUTE A GRANT TO MANUFACTURE ANY ITEMS.

ADDITIONAL BORE SIZES AVAILABLE UPON REQUEST

APPROVALS DATE

DRAWN

CHECKED

PRODN

ISSUED

DATE

2/17/2010
3:20:13 PM

HELICAL PRODUCTS CO. INC

P.O. BOX 1069 SANTA MARIA, CA. 93456 U.S.A
PHONE (805) 928-3851/FSCI320I

TITLE HELICAL FLEXIBLE SHAFT COUPLING

TABULATED BORE SIZES

DWG NO

AR062

Printed 2/17/2010 3:20:37 PM by JulesJ

ADDITION DATE	PART NUMBER	BORE TOLERANCES		TORQUES (lbin)			TORSIONAL FLEXIBILITY deg/lbin	MASS MOMENT OF INERTIA	COMMENTS	A1	A2
		+.002in -.000in	or +.05mm -.00mm	Non-reversing	Shock or Reversing	Momentary					
	AR062-8M-6	* .240in	.188in	5.0	2.5	10.0					
	AR062-8-3M	* .250in	.090in	5.0	2.5	10.0					
26 Oct 88	AR062-8-2.5mm	* .250in	2.50mm	5.0	2.5	10.0					
05 Dec 88	AR062-8-4M	* .250in	.120in	5.0	2.5	10.0					
27 Jun 88	AR062-8-4	* .250in	.125in	5.0	2.5	10.0					
27 Jun 88	AR062-8-5	* .250in	.157in	5.0	2.5	10.0					
	AR062-8-4mm	* .250in	4.00mm	5.0	2.5	10.0					
27 Jun 88	AR062-8-6	* .250in	.188in	5.0	2.5	10.0					
09 Mar 88	AR062-8-7	* .250in	* .219in	5.0	2.5	10.0					
05 Feb 10	AR062-8-6mm	* .250in	* 6.00mm	5.0	2.5	10.0					
	AR062-8-8M	* .250in	* .240in	5.0	2.5	10.0					
27 Jun 88	AR062-8-8	* .250in	* .250in	5.0	2.5	10.0					
11 Sep 07	AR062-7mm-5mm	* 7.00mm	5.00mm	5.0	2.5	10.0					
09 Mar 88	AR062-7.37mm-8	* 7.37mm	* .250in	5.0	2.5	10.0					
04 Sep 90	AR062-8mm-5	* 8.00mm	.157in	5.0	2.5	10.0					
	AR062-12-4	* .375in	.125in	5.0	2.5	10.0					
20 Oct 88	AR062-12-8	* .375in	* .250in	5.0	2.5	10.0					
	AR062-12-8mm	* .375in	* 8.00mm	5.0	2.5	10.0					

* NOTE: Bores greater than .197in Dia: bore depth is .145in

NOTICE: THE INFORMATION AND DATA CONTAINED HEREIN IS CONSIDERED PROPRIETARY TO HELICAL PRODUCTS COMPANY, INC., AND SHALL REMAIN THE EXCLUSIVE PROPERTY OF HELICAL. THE HOLDER WILL ASSUME CUSTODY AND CONTROL THAT THIS DOCUMENT WILL NOT BE COPIED, REPRODUCED OR DISCLOSED WITHOUT THE EXPRESS WRITTEN CONSENT OF HELICAL. POSSESSION OF THIS DOCUMENT DOES NOT CONSTITUTE A GRANT TO MANUFACTURE ANY ITEMS.

ADDITIONAL BORE SIZES AVAILABLE UPON REQUEST

APPROVALS	DATE
DRAWN	
CHECKED	
PRODN	
ISSUED	2/17/2010 3: 20: 13 PM

HELICAL PRODUCTS CO. INC P.O. BOX 1069 SANTA MARIA, CA. 93456 U.S.A PHONE (805) 928-3851 FSCI3201	
TITLE	HELICAL FLEXIBLE SHAFT COUPLING
TABULATED BORE SIZES	
DWG NO	AR062

Printed 2/17/2010 3:20:37 PM by JulesJ