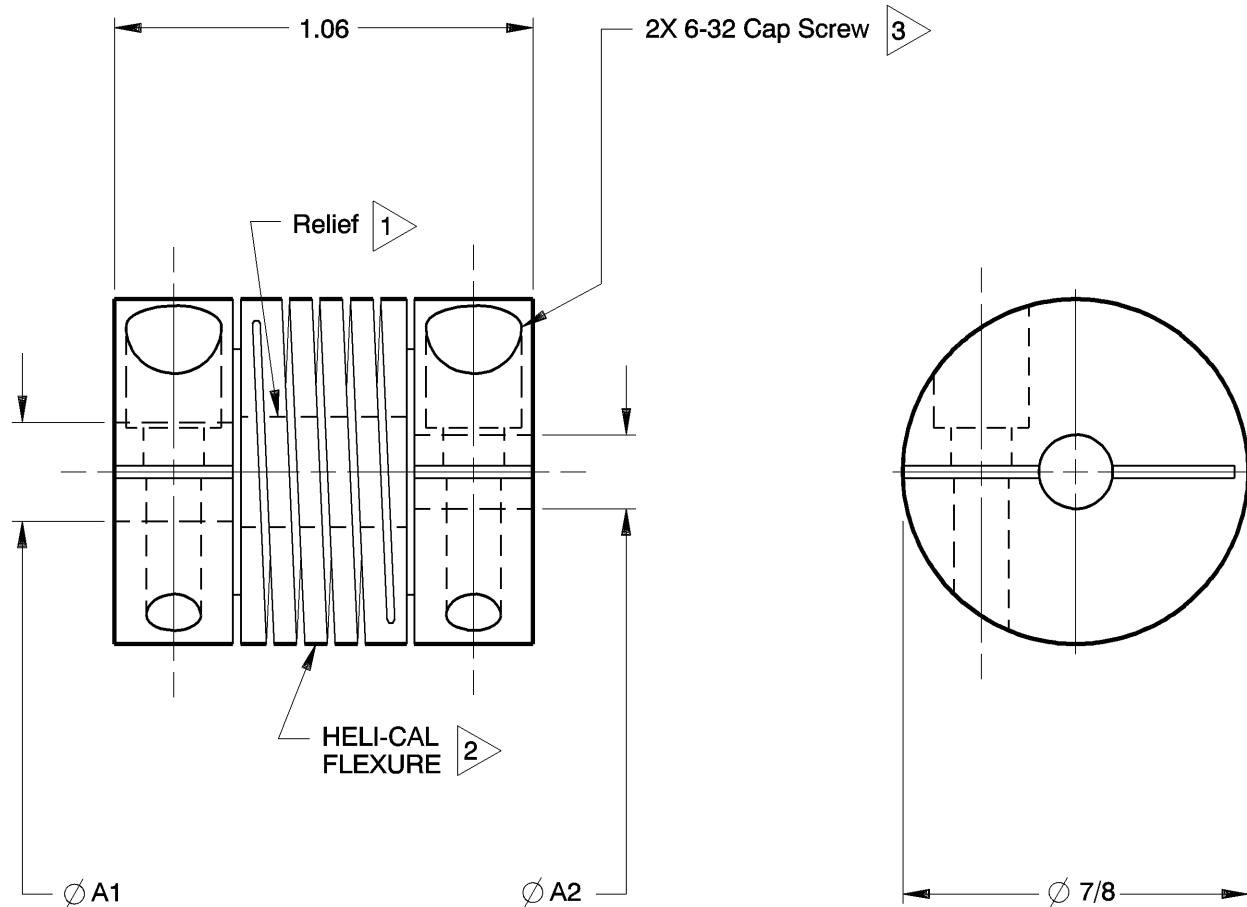


NOTES: See Tabulated Sheet

- 1 Relief permits component shafts to near butt.
- 2 Hubs and HELI-CAL FLEXURE are made from a single piece of material.
- 3 Integral Clamp attachment, hex. socket, cap screw furnished: both hubs.
- 4 Backlash: None. No lubrication required.
- 5 Permitted axial motion from free length: $\pm .010$ in.
- 6 RPM: Up to 10,000, depending upon application.
- 7 Working torque ratings are based upon continuous duty with noted misalignments applied separately and may be increased with improved alignment:
- See Tabulated Sheet
- 8 Permissible shaft misalignment:
Angular, up to 5 degrees.
Offset, up to .010in.
(TIR, .020in.)
- 9 Part will have a .895in. Clearance Diameter on both ends when any bore is over .285in. thru .315in. or a 1.025in. Clearance Diameter on both ends when any bore is over .315in. thru .444in.



ACR087-8-6 SHOWN

NOTICE: THE INFORMATION AND DATA CONTAINED HEREIN IS CONSIDERED PROPRIETARY TO HELICAL PRODUCTS COMPANY, INC., AND SHALL REMAIN THE EXCLUSIVE PROPERTY OF HELICAL. THE HOLDER WILL ASSUME CUSTODY AND CONTROL THAT THIS DOCUMENT WILL NOT BE COPIED, REPRODUCED OR DISCLOSED WITHOUT THE EXPRESS WRITTEN CONSENT OF HELICAL. POSSESSION OF THIS DOCUMENT DOES NOT CONSTITUTE A GRANT TO MANUFACTURE ANY ITEMS.

DO NOT SCALE DRAWING.

12-18-09	---	Finish was Chromic Acid Anodize; Updated GD&T	HG	JAJ	Unless otherwise noted dimensions in inches. Inch Fractions: $\pm 1/64$ Decimals: $.XX \pm .010$ $.XXX \pm .005$ $.XXX \pm .0010$ Metric Decimals: $X \pm 0.5mm$ $X.X \pm 0.25mm$ $X.XX \pm 0.15mm$ Angles: ± 2 degrees Break sharp corners .010 max.	APPROVALS	DATE	<p>HELICAL PRODUCTS CO., INC. P.O. BOX 1069 SANTA MARIA, CA. 93456 U.S.A PHONE (805) 928-3851 FSC13201</p>	
						DRAWN	MM		12-7-79
CHECKED	MC	12-7-79	TITLE	HELICAL FLEXIBLE SHAFT COUPLING					
PRODN	APA	12-7-79	MATERIAL	7075-T6 Aluminum Alloy					
1-25-99		Clerical format update/ No revision	BJM	MC		ISSUED		FINISH	Anodize per HPS1000
DATE	LTR	REVISION	CHK			WEIGHT	25g (calc)	DWG NO	ACR087
						SCALE	2/1	SIZE	A

ADDITION DATE	PART NUMBER	BORE TOLERANCES		TORQUES (lbin)			TORSIONAL FLEXIBILITY deg/lbin	MASS MOMENT OF INERTIA	COMMENTS	A1	A2
		+.002in -.000in	or +.05mm -.00mm	Non-reversing	Shock or Reversing	Momentary					
18 Aug 05	ACR087-5-5	.157in	.157in	16	8	32					
19 Sep 02	ACR087-6-3M	.188in	.090in	16	8	32					
	ACR087-6-3mm	.188in	3.00mm	16	8	32					
09 Mar 88	ACR087-6-4	.188in	.125in	16	8	32					
09 Mar 88	ACR087-6-5	.188in	.157in	16	8	32					
	ACR087-6-4mm	.188in	4.00mm	16	8	32					
30 Sep 11	ACR087-6-4.5mm	.188in	4.50mm	16	8	32					
09 Mar 88	ACR087-6-6	.188in	.188in	16	8	32					
18 Oct 04	ACR087-4.9mm-4.9mm	4.90mm	4.90mm	16	8	32					
	ACR087-5mm-5	5.00mm	.157in	16	8	32					
	ACR087-5mm-6	5.00mm	.188in	16	8	32					
18 Aug 05	ACR087-5mm-5mm	5.00mm	5.00mm	16	8	32					
	ACR087-6mm-4	6.00mm	.125in	15	7	30					
	ACR087-6mm-5	6.00mm	.157in	15	7	30					
23 Jun 88	ACR087-6mm-6	6.00mm	.188in	15	7	30					
	ACR087-6mm-5mm	6.00mm	5.00mm	15	7	30					
	ACR087-8M-8M	.240in	.240in	15	7	30					
26 Mar 12	ACR087-8-3M	.250in	.090in	15	7	30					
09 Mar 88	ACR087-8-3	.250in	.094in	15	7	30					
03 Jan 90	ACR087-8-3mm	.250in	3.00mm	15	7	30					
09 Mar 88	ACR087-8-4M	.250in	.120in	15	7	30					
09 Mar 88	ACR087-8-4	.250in	.125in	15	7	30					
09 Mar 88	ACR087-8-5	.250in	.157in	15	7	30					
23 Jun 88	ACR087-8-4mm	.250in	4.00mm	15	7	30					
09 Oct 06	ACR087-8-4.5mm	.250in	4.50mm	15	7	30					
	ACR087-8-4.62mm	.250in	4.62mm	15	7	30					

* NOTE: Bores greater than .315in Dia: bore depth is .310in

NOTICE: THE INFORMATION AND DATA CONTAINED HEREIN IS CONSIDERED PROPRIETARY TO HELICAL PRODUCTS COMPANY, INC., AND SHALL REMAIN THE EXCLUSIVE PROPERTY OF HELICAL. THE HOLDER WILL ASSUME CUSTODY AND CONTROL THAT THIS DOCUMENT WILL NOT BE COPIED, REPRODUCED OR DISCLOSED WITHOUT THE EXPRESS WRITTEN CONSENT OF HELICAL. POSSESSION OF THIS DOCUMENT DOES NOT CONSTITUTE A GRANT TO MANUFACTURE ANY ITEMS.

ADDITIONAL BORE SIZES AVAILABLE UPON REQUEST

APPROVALS	DATE
DRAWN	
CHECKED	
PRODN	
ISSUED	3/26/2012 1:18:21 PM

HELICAL PRODUCTS CO. INC	
P.O. BOX 1069 SANTA MARIA, CA. 93456 U.S.A PHONE (805) 928-3851 FSCI3201	
TITLE	HELICAL FLEXIBLE SHAFT COUPLING
TABULATED BORE SIZES	
DWG NO	ACR087

Printed 3/26/2012 1:18:22 PM by larryvg

ADDITION DATE	PART NUMBER	BORE TOLERANCES		TORQUES (lbin)			TORSIONAL FLEXIBILITY	MASS MOMENT OF INERTIA	COMMENTS	A1	A2	
		+.002in -.000in	or +.05mm -.00mm	Non-reversing	Shock or Reversing	Momentary						deg/lbin
09 Mar 88	ACR087-8-6	.250in	.188in	15	7	30						
09 Mar 88	ACR087-8-5mm	.250in	5.00mm	15	7	30						
	ACR087-8-7	.250in	.219in	15	7	30						
09 Mar 88	ACR087-8-6mm	.250in	6.00mm	15	7	30						
	ACR087-8-6.15mm	.250in	6.15mm	15	7	30						
09 Mar 88	ACR087-8-8	.250in	.250in	15	7	30						
26 Jul 11	ACR087-6.36mm-6.01mm	6.36mm	6.01mm	15	7	30						
	ACR087-6.67mm-6.67mm	6.67mm	6.67mm	14	7	29						
23 Jun 88	ACR087-6.87mm-5	6.87mm	.157in	14	7	29						
23 Jun 88	ACR087-6.87mm-8	6.87mm	.250in	14	7	29						
23 Jun 88	ACR087-7mm-6	7.00mm	.188in	14	7	29						
23 Jun 88	ACR087-7mm-8	7.00mm	.250in	14	7	29						
24 Jan 07	ACR087-9-4mm	.282in	4.00mm	14	7	28						
23 Jun 88	ACR087-7.53mm-5	7.53mm	.157in	14	7	28			Clearance Diam.:	.895in		
23 Jun 88	ACR087-7.53mm-8	7.53mm	.250in	14	7	28			Clearance Diam.:	.895in		
09 Mar 88	ACR087-10-4	.313in	.125in	14	7	28			Clearance Diam.:	.895in		
09 Mar 88	ACR087-10-5	.313in	.157in	14	7	28			Clearance Diam.:	.895in		
13 Jan 06	ACR087-10-4.5mm	.313in	4.50mm	14	7	28			Clearance Diam.:	.895in		
09 Mar 88	ACR087-10-6	.313in	.188in	14	7	28			Clearance Diam.:	.895in		
	ACR087-10-5mm	.313in	5.00mm	14	7	28			Clearance Diam.:	.895in		
09 Mar 88	ACR087-10-6mm	.313in	6.00mm	14	7	28			Clearance Diam.:	.895in		
09 Mar 88	ACR087-10-8	.313in	.250in	14	7	28			Clearance Diam.:	.895in		
23 Jun 88	ACR087-10-9	.313in	.282in	14	7	28			Clearance Diam.:	.895in		
09 Mar 88	ACR087-10-10	.313in	.313in	14	7	28			Clearance Diam.:	.895in		
09 Mar 88	ACR087-8mm-4M	8.00mm	.120in	14	7	28			Clearance Diam.:	.895in		
23 Jun 88	ACR087-8mm-4	8.00mm	.125in	14	7	28			Clearance Diam.:	.895in		
	ACR087-8mm-5	8.00mm	.157in	14	7	28			Clearance Diam.:	.895in		
09 Mar 88	ACR087-8mm-6	8.00mm	.188in	14	7	28			Clearance Diam.:	.895in		
	ACR087-8mm-5mm	8.00mm	5.00mm	14	7	28			Clearance Diam.:	.895in		
09 Mar 88	ACR087-8mm-6mm	8.00mm	6.00mm	14	7	28			Clearance Diam.:	.895in		
09 Mar 88	ACR087-8mm-8	8.00mm	.250in	14	7	28			Clearance Diam.:	.895in		

* NOTE: Bores greater than .315in Dia: bore depth is .310in

NOTICE: THE INFORMATION AND DATA CONTAINED HEREIN IS CONSIDERED PROPRIETARY TO HELICAL PRODUCTS COMPANY, INC., AND SHALL REMAIN THE EXCLUSIVE PROPERTY OF HELICAL. THE HOLDER WILL ASSUME CUSTODY AND CONTROL THAT THIS DOCUMENT WILL NOT BE COPIED, REPRODUCED OR DISCLOSED WITHOUT THE EXPRESS WRITTEN CONSENT OF HELICAL. POSSESSION OF THIS DOCUMENT DOES NOT CONSTITUTE A GRANT TO MANUFACTURE ANY ITEMS.

ADDITIONAL BORE SIZES AVAILABLE UPON REQUEST

APPROVALS	DATE	HELICAL PRODUCTS CO. INC P.O. BOX 1069 SANTA MARIA, CA. 93456 U.S.A PHONE (805) 928-3851 FSCI3201
DRAWN		
CHECKED		TITLE
PRODN		HELICAL FLEXIBLE SHAFT COUPLING
ISSUED	3/26/2012 1:18:21 PM	DWG NO TABULATED BORE SIZES ACR087

Printed 3/26/2012 1:18:22 PM by larryvg

ADDITION DATE	PART NUMBER	BORE TOLERANCES		TORQUES (lbin)			TORSIONAL FLEXIBILITY deg/lbin	MASS MOMENT OF INERTIA	COMMENTS	A1	A2
		+.002in -.000in	or +.05mm -.00mm	Non-reversing	Shock or Reversing	Momentary					
09 Mar 88	ACR087-8mm-8mm	8.00mm	8.00mm	14	7	28			Clearance Diam.:	.895in	
15 Jan 03	ACR087-8.75mm-5mm	* 8.75mm	5.00mm	14	7	28			Clearance Diam.:	.895in	
09 Mar 88	ACR087-12-8	* .375in	.250in	14	7	28			Clearance Diam.:	1.025in	
	ACR087-12-10	* .375in	.313in	14	7	28			Clearance Diam.:	1.025in	
24 Feb 05	ACR087-12-8mm	* .375in	8.00mm	14	7	28			Clearance Diam.:	1.025in	
12 Sep 01	ACR087-12-9mm	* .375in	* 9.00mm	14	7	28			Clearance Diam.:	1.025in	
09 Mar 88	ACR087-12-12	* .375in	* .375in	14	7	28			Clearance Diam.:	1.025in	
23 Jun 88	ACR087-10mm-8	*10.00mm	.250in	14	7	28			Clearance Diam.:	1.025in	
31 Oct 90	ACR087-10mm-10	*10.00mm	.313in	14	7	28			Clearance Diam.:	1.025in	
23 Jun 88	ACR087-14-8	* .438in	.250in	14	7	28			Clearance Diam.:	1.025in	
09 Oct 13	ACR087-7mm-4	7.00mm	.125in	14	7	29					

* NOTE: Bores greater than .315in Dia: bore depth is .310in

NOTICE: THE INFORMATION AND DATA CONTAINED HEREIN IS CONSIDERED PROPRIETARY TO HELICAL PRODUCTS COMPANY, INC., AND SHALL REMAIN THE EXCLUSIVE PROPERTY OF HELICAL. THE HOLDER WILL ASSUME CUSTODY AND CONTROL THAT THIS DOCUMENT WILL NOT BE COPIED, REPRODUCED OR DISCLOSED WITHOUT THE EXPRESS WRITTEN CONSENT OF HELICAL. POSSESSION OF THIS DOCUMENT DOES NOT CONSTITUTE A GRANT TO MANUFACTURE ANY ITEMS.

ADDITIONAL BORE SIZES AVAILABLE UPON REQUEST

APPROVALS	DATE	HELICAL PRODUCTS CO. INC P.O. BOX 1069 SANTA MARIA, CA. 93456 U.S.A PHONE (805) 928-3851 FSCI3201
DRAWN		
CHECKED		TITLE
PRODN		HELICAL FLEXIBLE SHAFT COUPLING
ISSUED	3/26/2012 1: 18: 21 PM	TABULATED BORE SIZES
		DWG NO ACR087

Printed 3/26/2012 1: 19: 22 PM by larryvg