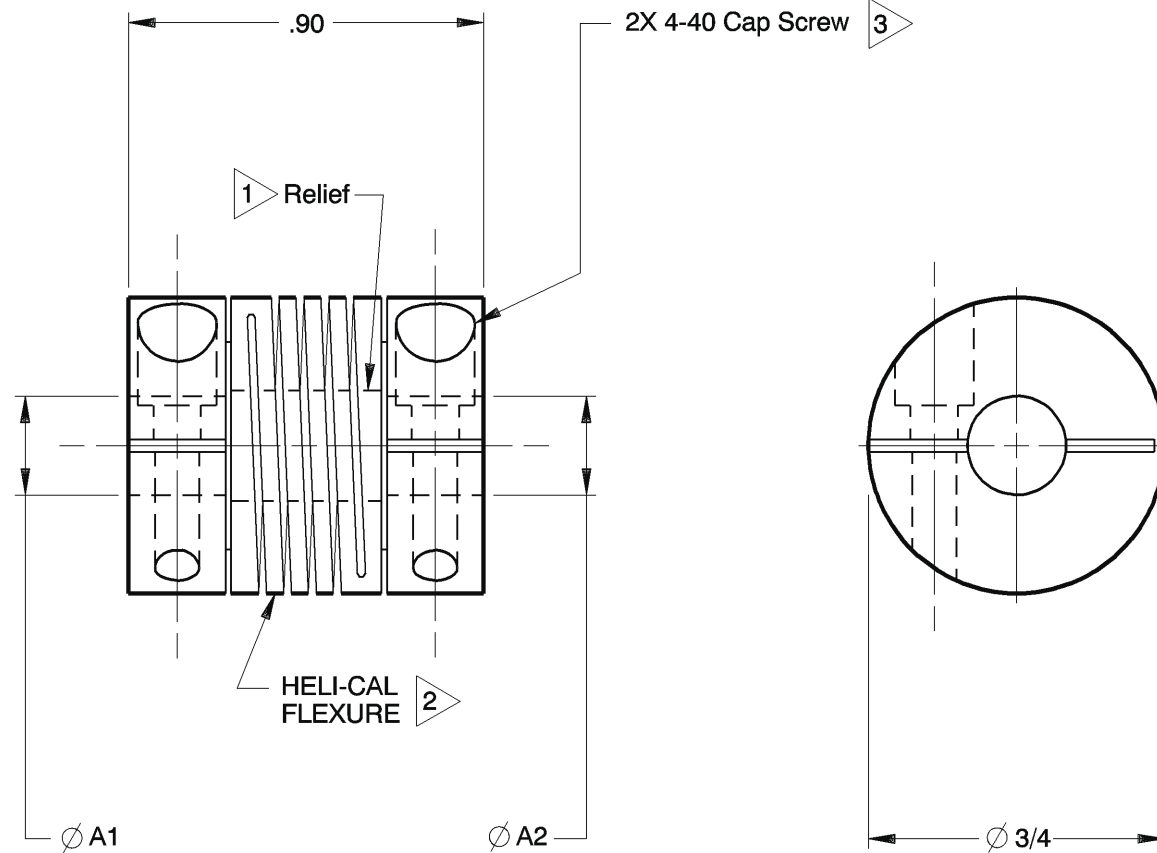


NOTES: See Tabulated Sheet

- 1 Relief permits component shafts to near butt.
- 2 Hubs and HELI-CAL FLEXURE are made from a single piece of material.
- 3 Integral Clamp attachment, hex. socket, cap screw furnished: both hubs.
- 4 Backlash: None. No lubrication required.
- 5 Permitted axial motion from free length: $\pm .010$ in.
- 6 RPM: Up to 10,000, depending upon application.
- 7 Working torque ratings are based upon continuous duty with noted misalignments applied separately and may be increased with improved alignment:

See Tabulated Sheet
- 8 Permissible shaft misalignment:

Angular, up to 5 degrees.
Offset, up to .010in.
(TIR, .020in.)
- 9 Part will have a .871in. Clearance Diameter on both ends when any bore is over .260in. thru .390in.



ACR075-8-8 SHOWN

NOTICE: THE INFORMATION AND DATA CONTAINED HEREIN IS CONSIDERED PROPRIETARY TO HELICAL PRODUCTS COMPANY, AND SHALL REMAIN THE EXCLUSIVE PROPERTY OF HELICAL. THE HOLDER WILL ASSUME CUSTODY AND CONTROL THAT THIS DOCUMENT WILL NOT BE COPIED, REPRODUCED OR DISCLOSED WITHOUT THE EXPRESS WRITTEN CONSENT OF HELICAL. POSSESSION OF THIS DOCUMENT DOES NOT CONSTITUTE A GRANT TO MANUFACTURE ANY ITEMS.

DO NOT SCALE DRAWING.

12-18-09	---	Finish was Chromic Acid Anodize; Updated GD&T	HG	JAJ	Unless otherwise noted dimensions in inches. Inch Fractions: $\pm 1/64$ Decimals: $.XX \pm .010$ $.XXX \pm .005$ $.XXX \pm .010$ Metric Decimals: $X \pm 0.5mm$ $X.X \pm 0.25mm$ $X.XX \pm 0.15mm$ Angles: ± 2 degrees Break sharp corners .010 max.	APPROVALS	DATE	HELICAL PRODUCTS CO. 901 W McCoy Ln SANTA MARIA, CA. 93456 U.S.A. PHONE (805) 928-3851 FSC13201	
						DRAWN	MM 1-10-79		
1-25-99		Clerical format update/ No revision	BJM	MC		CHECKED	GLB 1-18-79	TITLE	
						PROD	APA 1-18-79	HELICAL FLEXIBLE SHAFT COUPLING	
DATE	LTR	REVISION	CHK			ISSUED		MATERIAL	7075-T6 Aluminum Alloy
						WEIGHT	15g (calc)	FINISH	Anodize per HPS1000
						SCALE	2/1	DWG NO	ACR075
						SIZE	A		

ADDITION DATE	PART NUMBER	BORE TOLERANCES		TORQUES (lbin)			TORSIONAL FLEXIBILITY deg/lbin	MASS MOMENT OF INERTIA	COMMENTS	A1	A2
		+.002in -.000in	or +.05mm -.00mm	Non-reversing	Shock or Reversing	Momentary					
20 Aug 04	ACR075-4M-4M	.120in	.120in	9	4	18					
27 Apr 06	ACR075-4-2mm	.125in	2.00mm	12	6	24					
	ACR075-4-3M	.125in	.090in	12	6	24					
	ACR075-4-3	.125in	.094in	12	6	24					
	ACR075-4-2.5mm	.125in	2.50mm	12	6	24					
	ACR075-4-3mm	.125in	3.00mm	12	6	24					
23 Jun 88	ACR075-4-4M	.125in	.120in	12	6	24					
09 Mar 88	ACR075-4-4	.125in	.125in	12	6	24					
	ACR075-3.19mm-4	3.19mm	.125in	12	6	24					
23 Jun 88	ACR075-5-4M	.157in	.120in	11	5	22					
09 Mar 88	ACR075-5-4	.157in	.125in	11	5	22					
09 Mar 88	ACR075-5-5	.157in	.157in	11	5	22					
	ACR075-5-8	.157in	.250in	9	4	18					
09 Mar 88	ACR075-4mm-4	4.00mm	.125in	11	5	22					
12 Aug 05	ACR075-4mm-4mm	4.00mm	4.00mm	11	5	22					
23 Jun 88	ACR075-4.2mm-4	4.20mm	.125in	11	5	22					
	ACR075-4.62mm-4	4.62mm	.125in	10	5	20					
	ACR075-6-2mm	.188in	2.00mm	10	5	20					

*** NOTE: Bores greater than .250in Dia: bore depth is .253in**

NOTICE: THE INFORMATION AND DATA CONTAINED HEREIN IS CONSIDERED PROPRIETARY TO HELICAL PRODUCTS COMPANY, AND SHALL REMAIN THE EXCLUSIVE PROPERTY OF HELICAL. THE HOLDER WILL ASSUME CUSTODY AND CONTROL THAT THIS DOCUMENT WILL NOT BE COPIED, REPRODUCED OR DISCLOSED WITHOUT THE EXPRESS WRITTEN CONSENT OF HELICAL. POSSESSION OF THIS DOCUMENT DOES NOT CONSTITUTE A GRANT TO MANUFACTURE ANY ITEMS.

ADDITIONAL BORE SIZES AVAILABLE UPON REQUEST

APPROVALS	DATE
DRAWN	
CHECKED	
PRODN	
ISSUED	7/13/2012 7:40:50 AM

HELICAL PRODUCTS CO.
901 W McCoy Ln Santa Maria, CA. 93456
PHONE (805) 928-3851

TITLE **HELICAL FLEXIBLE SHAFT COUPLING**

TABULATED BORE SIZES

DWG NO **ACR075**

Printed 7/13/2012 7:43:16 AM by Larryvg

ADDITION DATE	PART NUMBER	BORE TOLERANCES		TORQUES (lbin)			TORSIONAL FLEXIBILITY deg/lbin	MASS MOMENT OF INERTIA	COMMENTS	A1	A2
		+.002in -.000in	or +.05mm -.00mm	Non-reversing	Shock or Reversing	Momentary					
09 Mar 88	ACR075-6-3M	.188in	.090in	10	5	20					
	ACR075-6-3	.188in	.094in	10	5	20					
	ACR075-6-2.5mm	.188in	2.50mm	10	5	20					
	ACR075-6-3mm	.188in	3.00mm	10	5	20					
09 Mar 88	ACR075-6-4M	.188in	.120in	10	5	20					
09 Mar 88	ACR075-6-4	.188in	.125in	10	5	20					
09 Mar 88	ACR075-6-5	.188in	.157in	10	5	20					
	ACR075-6-4mm	.188in	4.00mm	10	5	20					
09 Mar 88	ACR075-6-6	.188in	.188in	10	5	20					
	ACR075-6-5mm	.188in	5.00mm	10	5	20					
12 Jul 12	ACR075-5mm-3	5.00mm	.094in	10	5	20					
23 Jun 88	ACR075-5mm-4	5.00mm	.125in	10	5	20					
	ACR075-5mm-5	5.00mm	.157in	10	5	20					
23 Jun 88	ACR075-5mm-4mm	5.00mm	4.00mm	10	5	20					
09 Mar 88	ACR075-5mm-6	5.00mm	.188in	10	5	20					
23 Jun 88	ACR075-5mm-5mm	5.00mm	5.00mm	10	5	20					
23 Jun 88	ACR075-5.11mm-4	5.11mm	.125in	10	5	20					
09 Mar 88	ACR075-5.16mm-4.73mm	5.16mm	4.73mm	10	5	19					
	ACR075-5.5mm-4	5.50mm	.125in	10	5	20					
	ACR075-7-4	.219in	.125in	9	4	18					
	ACR075-7-6	.219in	.188in	9	4	18					
09 Mar 88	ACR075-7-5mm	.219in	5.00mm	9	4	18					
	ACR075-7-7	.219in	.219in	9	4	18					
23 Jun 88	ACR075-6mm-5	5.90mm	.157in	9	5	18					
05 Aug 04	ACR075-5.9mm-5	5.90mm	.157in	9	4	18					
09 Mar 88	ACR075-5.99mm-6	5.99mm	.188in	9	4	18					
09 Mar 88	ACR075-6mm-3mm	6.00mm	3.00mm	9	4	18					
23 Jun 88	ACR075-6mm-4M	6.00mm	.120in	9	4	18					
09 Mar 88	ACR075-6mm-4	6.00mm	.125in	9	4	18					
23 Jun 88	ACR075-6mm-4mm	6.00mm	4.00mm	9	4	18					
23 Jun 88	ACR075-6mm-6	6.00mm	.188in	9	4	18					

* NOTE: Bores greater than .250in Dia: bore depth is .253in

NOTICE: THE INFORMATION AND DATA CONTAINED HEREIN IS CONSIDERED PROPRIETARY TO HELICAL PRODUCTS COMPANY, AND SHALL REMAIN THE EXCLUSIVE PROPERTY OF HELICAL. THE HOLDER WILL ASSUME CUSTODY AND CONTROL THAT THIS DOCUMENT WILL NOT BE COPIED, REPRODUCED OR DISCLOSED WITHOUT THE EXPRESS WRITTEN CONSENT OF HELICAL. POSSESSION OF THIS DOCUMENT DOES NOT CONSTITUTE A GRANT TO MANUFACTURE ANY ITEMS.

ADDITIONAL BORE SIZES AVAILABLE UPON REQUEST

APPROVALS

DATE

DRAWN

CHECKED

PRODN

ISSUED

7/13/2012
7: 40: 50 AM

HELICAL PRODUCTS CO.
901 W McCoy Ln Santa Maria, CA. 93456
PHONE (805) 928-3851

TITLE HELICAL FLEXIBLE SHAFT COUPLING

TABULATED BORE SIZES

DWG NO

ACR075

Printed 7/13/2012 7: 43: 16 AM by larryvg

ADDITION DATE	PART NUMBER	BORE TOLERANCES		TORQUES (lbin)			TORSIONAL FLEXIBILITY deg/lbin	MASS MOMENT OF INERTIA	COMMENTS	A1	A2
		+.002in -.000in	or +.05mm -.00mm	Non-reversing	Shock or Reversing	Momentary					
09 Mar 88	ACR075-6mm-5mm	6.00mm	5.00mm	9	4	18					
09 Mar 88	ACR075-6mm-7	6.00mm	.219in	9	4	18					
09 Mar 88	ACR075-6mm-6mm	6.00mm	6.00mm	9	4	18					
09 Mar 88	ACR075-8M-4M	.240in	.120in	9	4	18					
09 Mar 88	ACR075-8M-6	.240in	.188in	9	4	18					
09 Mar 88	ACR075-8M-6mm	.240in	6.00mm	9	4	18					
09 Mar 88	ACR075-8M-8M	.240in	.240in	9	4	18					
02 Nov 04	ACR075-6.1mm-6.1mm	6.10mm	6.10mm	9	4	18					
09 Mar 88	ACR075-6.27mm-3mm	6.27mm	3.00mm	9	4	18					
09 Mar 88	ACR075-6.27mm-4M	6.27mm	.120in	9	4	18					
25 Feb 00	ACR075-6.3mm-5mm	6.30mm	5.00mm	9	4	18					
09 Mar 88	ACR075-8-2mm	.250in	2.00mm	9	4	18					
23 Jun 88	ACR075-8-2.18mm	.250in	2.18mm	9	4	18					
23 Jun 88	ACR075-8-3M	.250in	.090in	9	4	18					
09 Mar 88	ACR075-8-3	.250in	.094in	9	4	18					
09 Mar 88	ACR075-8-2.5mm	.250in	2.50mm	9	4	18					
09 Mar 88	ACR075-8-3mm	.250in	3.00mm	9	4	18					
09 Mar 88	ACR075-8-4M	.250in	.120in	9	4	18					
09 Mar 88	ACR075-8-4	.250in	.125in	9	4	18					
09 Mar 88	ACR075-8-5	.250in	.157in	9	4	18					
23 Jun 88	ACR075-8-4mm	.250in	4.00mm	9	4	18					
23 Jun 88	ACR075-8-4.42mm	.250in	4.42mm	9	4	18					
18 Nov 88	ACR075-8-4.5mm	.250in	4.50mm	9	4	18					
09 Mar 88	ACR075-8-4.62mm	.250in	4.62mm	9	4	18					
09 Mar 88	ACR075-8-6	.250in	.188in	9	4	18					
09 Mar 88	ACR075-8-5mm	.250in	5.00mm	9	4	18					
17 Feb 00	ACR075-8-5.08mm	.250in	5.08mm	9	4	18					
23 Jun 88	ACR075-8-5.11mm	.250in	5.11mm	9	4	18					
	ACR075-8-5.5mm	.250in	5.50mm	9	4	18					
09 Mar 88	ACR075-8-5.52mm	.250in	5.52mm	9	4	18					
05 Jul 05	ACR075-8-5.53mm	.250in	5.53mm	9	4	18					

* NOTE: Bores greater than .250in Dia: bore depth is .253in

NOTICE: THE INFORMATION AND DATA CONTAINED HEREIN IS CONSIDERED PROPRIETARY TO HELICAL PRODUCTS COMPANY, AND SHALL REMAIN THE EXCLUSIVE PROPERTY OF HELICAL. THE HOLDER WILL ASSUME CUSTODY AND CONTROL THAT THIS DOCUMENT WILL NOT BE COPIED, REPRODUCED OR DISCLOSED WITHOUT THE EXPRESS WRITTEN CONSENT OF HELICAL. POSSESSION OF THIS DOCUMENT DOES NOT CONSTITUTE A GRANT TO MANUFACTURE ANY ITEMS.

ADDITIONAL BORE SIZES AVAILABLE UPON REQUEST

APPROVALS	DATE
DRAWN	
CHECKED	
PRODN	
ISSUED	7/13/2012 7:40:50 AM

HELICAL PRODUCTS CO.
901 W McCoy Ln Santa Maria, CA. 93456
PHONE (805) 928-3851

TITLE **HELICAL FLEXIBLE SHAFT COUPLING**

TABULATED BORE SIZES

DWG NO **ACR075**

Printed 7/13/2012 7:43:16 AM by larryvg

ADDITION DATE	PART NUMBER	BORE TOLERANCES		TORQUES (lbin)			TORSIONAL FLEXIBILITY deg/lbin	MASS MOMENT OF INERTIA	COMMENTS	A1	A2
		+.002in -.000in	or +.05mm -.00mm	Non-reversing	Shock or Reversing	Momentary					
		A1 Dia	A2 Dia								
09 Mar 88	ACR075-8-7	.250in	.219in	9	4	18					
09 Mar 88	ACR075-8-5.72mm	.250in	5.72mm	9	4	18					
09 Mar 88	ACR075-8-5.79mm	.250in	5.79mm	9	4	18					
09 Mar 88	ACR075-8-6mm	.250in	6.00mm	9	4	18					
09 Mar 88	ACR075-8-8M	.250in	.240in	9	4	18					
	ACR075-8-6.15mm	.250in	6.15mm	9	4	18					
09 Mar 88	ACR075-8-6.3mm	.250in	6.30mm	9	4	18					
09 Mar 88	ACR075-8-8	.250in	.250in	9	4	18					
04 Dec 07	ACR075-6.36mm-6.01mm	* 6.36mm	6.01mm	9	4	18					
	ACR075-6.4mm-8	* 6.40mm	.250in	9	4	18					
22 Dec 11	ACR075-6.5mm-3.2mm	* 6.50mm	3.20mm	9	4	18					
	ACR075-6.5mm-5	* 6.50mm	.157in	9	4	18					
26 Oct 88	ACR075-6.5mm-6mm	* 6.50mm	6.00mm	9	4	18					
	ACR075-7mm-8	* 7.00mm	.250in	9	4	18			Clearance Diam.:	.871in	
09 Mar 88	ACR075-10-6	* .313in	.188in	9	4	18			Clearance Diam.:	.871in	
16 Jul 04	ACR075-10-6mm	* .313in	6.00mm	9	4	18			Clearance Diam.:	.871in	
09 Mar 88	ACR075-10-8	* .313in	.250in	9	4	18			Clearance Diam.:	.871in	
23 Jun 88	ACR075-8mm-4M	* 8.00mm	.120in	9	4	18			Clearance Diam.:	.871in	
23 Jun 88	ACR075-8mm-6mm	* 8.00mm	6.00mm	9	4	18			Clearance Diam.:	.871in	
09 Mar 88	ACR075-8mm-8	* 8.00mm	.250in	9	4	18			Clearance Diam.:	.871in	
21 Sep 88	ACR075-12-5	* .375in	.157in	9	4	18			Clearance Diam.:	.871in	
11 Apr 01	ACR075-12-6	* .375in	.188in	9	4	18			Clearance Diam.:	.871in	
	ACR075-12-5.08mm	* .375in	5.08mm	9	4	18			Clearance Diam.:	.871in	
	ACR075-12-6mm	* .375in	6.00mm	9	4	18			Clearance Diam.:	.871in	
09 Mar 88	ACR075-12-8	* .375in	.250in	9	4	18			Clearance Diam.:	.871in	
26 Oct 88	ACR075-10mm-8	*10.00mm	.250in	9	4	18			Clearance Diam.:	.871in	
15 JUL 15	ACR075-4.78mm-2mm	4.78mm	2.00mm	10	5	20					
03 DEC 15	ACR075-6-2.3mm	.188in	2.30mm	10	5	20					
24 Apr 17	ACR075-8-5.33mm	.250in	5.33mm	16	4	20					
06 JUN 17	ACR075-6.46mm-4.75mm	* 6.46mm	4.75mm	9	4	18			Clearance Diam:	.871in	

* NOTE: Bores greater than .250in Dia: bore depth is .253in

NOTICE: THE INFORMATION AND DATA CONTAINED HEREIN IS CONSIDERED PROPRIETARY TO HELICAL PRODUCTS COMPANY, AND SHALL REMAIN THE EXCLUSIVE PROPERTY OF HELICAL. THE HOLDER WILL ASSUME CUSTODY AND CONTROL THAT THIS DOCUMENT WILL NOT BE COPIED, REPRODUCED OR DISCLOSED WITHOUT THE EXPRESS WRITTEN CONSENT OF HELICAL. POSSESSION OF THIS DOCUMENT DOES NOT CONSTITUTE A GRANT TO MANUFACTURE ANY ITEMS.

ADDITIONAL BORE SIZES AVAILABLE UPON REQUEST

APPROVALS

DATE

DRAWN

CHECKED

PRODN

ISSUED

7/13/2012
7: 40: 50 AM

HELICAL PRODUCTS CO.

901 W McCoy Ln Santa Maria, CA. 93456

PHONE (805) 928-3851

TITLE HELICAL FLEXIBLE SHAFT COUPLING

TABULATED BORE SIZES

DWG NO

ACR075