

These unique sockets and adapters were developed by Omega Technologies for aerospace applications where torque control is necessary. The "tilt" is limited to 15° in order to improve the repeatability and accuracy of installation torque values. The unique gold and black color scheme makes these quality tools readily distinguishable from traditional swivels.

They feature a very low profile for maximum access and are available in 6-point and 12-point configurations. **Please note that they are not intended for use with impact tools.**

Square Drive Swivel Sockets

Square Drive Universal Adaptors



Universal Sockets and Adapters

For "Torque Control" Applications

Square Drive Swivel Sockets

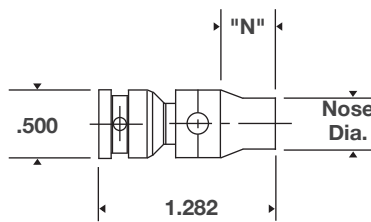
The use of standard universal adapters and swivel sockets may compromise joint integrity—preventing adequate torque from reaching the fastener. Studies have determined that when the swivel angle exceeds 15°, there may be significant 'scatter' or reduction in measured torque values.

Omega Technologies has developed a line of Universal Adapters and Swivel Sockets that have a maximum tilt of 15°. Available for 1/4", 3/8", and 1/2" square drives, these tools are color-coded gold and black for easy identification. Machined from premium shock-resistant 4340 steel and heat-treated for toughness, these tools offer top performance and long life. For extremely tight places, a low-profile (LP) version of the 1/4" swivel sockets is also available.

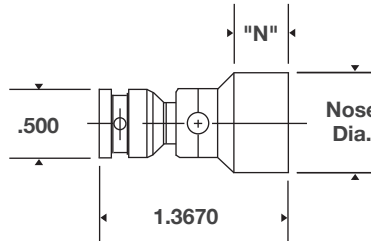


Please note that these are not intended for use with impact tools.

1/4" Low Profile Swivel Socket
3/16"-3/8"



1/4" Low Profile Swivel Socket
7/16" and Larger



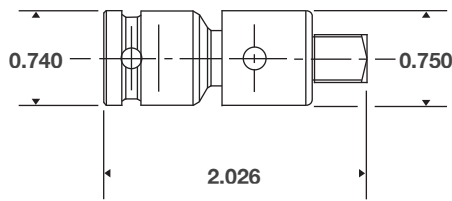
Smaller and lighter than conventional universal sockets

1/4" Square Drive Low Profile Swivel Sockets

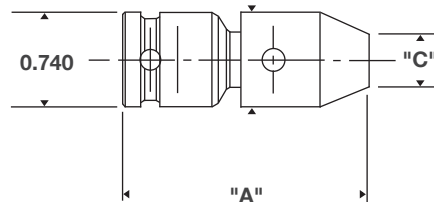
SIZE	PART NUMBER (6 PT.)	PART NUMBER (12 PT.)	NOSE DIAMETER	NOSE LENGTH (N)
3/16	US250-18	USD250-18	0.317	0.400
7/32	US250-21	USD250-21	0.343	0.400
1/4	US250-25	USD250-25	0.379	0.400
9/32	US250-28	USD250-28	0.445	0.400
5/16	US250-31	USD250-31	0.451	0.400
11/32	US250-34	USD250-34	0.480	0.400
3/8	US250-37	USD250-37	0.510	0.400
7/16	US250-43	USD250-43	0.585	0.500
1/2	US250-50	USD250-50	0.690	0.500
9/16	US250-56	USD250-56	0.750	0.500

Do not exceed 240 lb-in.

3/8" Adapter



3/8" Square Drive Swivel Socket



3/8" Square Drive Swivel Sockets

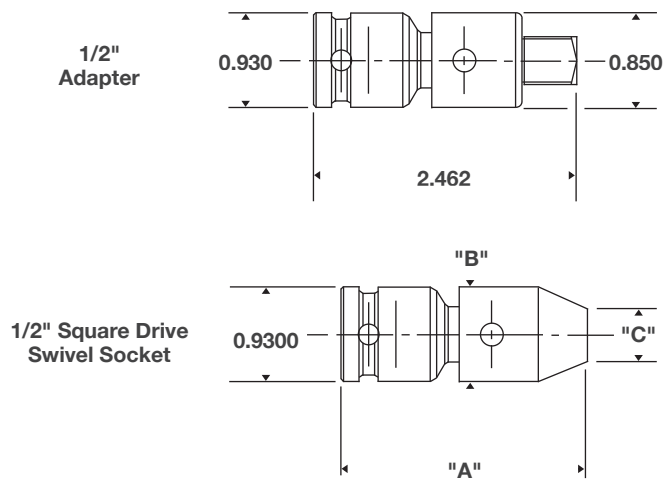
SIZE	PART NUMBER (6 PT.)	PART NUMBER (12 PT.)	LENGTH (A)	DIAMETER (B)	NOSE (C)
3/16	US375-18	USD375-18	1.906	0.750	0.339
7/32	US375-21	USD375-21	1.906	0.750	0.375
1/4	US375-25	USD375-25	1.906	0.750	0.410
9/32	US375-28	USD375-28	1.906	0.750	0.448
5/16	US375-31	USD375-31	1.906	0.750	0.485
11/32	US375-34	USD375-34	1.906	0.750	0.520
3/8	US375-37	USD375-37	1.906	0.850	0.550
7/16	US375-43	USD375-43	1.906	0.850	0.615
1/2	US375-50	USD375-50	2.006	0.850	0.682
9/16	US375-56	USD375-56	2.106	0.850	0.800
5/8	US375-62	USD375-62	2.206	0.850	1.000
3/4	US375-75	USD375-75	2.306	0.850	1.125

Do not exceed 1000 lb-in.

✳ Torque control sockets and adapters are not intended for use with "impact" tools.

Square Drive Swivel Sockets • Universal Adaptors

Omega Torque Control Swivel Adapters are tough. Max torque values are higher than typical 30°-35° swivels.



1/2" Square Drive Swivel Sockets

SIZE	PART NUMBER (6 PT.)	PART NUMBER (12 PT.)	LENGTH (A)	DIAMETER (B)	NOSE (C)
3/16	US500-18	USD500-18	2.167	0.750	0.339
7/32	US500-21	USD500-21	2.167	0.750	0.375
1/4	US500-25	USD500-25	2.167	0.750	0.410
9/32	US500-28	USD500-28	2.167	0.750	0.448
5/16	US500-31	USD500-31	2.167	0.750	0.485
11/32	US500-34	USD500-34	2.167	0.750	0.520
3/8	US500-37	USD500-37	2.167	0.850	0.550
7/16	US500-43	USD500-43	2.167	0.850	0.615
1/2	US500-50	USD500-50	2.267	0.850	0.682
9/16	US500-56	USD500-56	2.367	0.850	0.800
5/8	US500-62	USD500-62	2.467	0.850	1.000
3/4	US500-75	USD500-75	2.567	0.850	1.125

Do not exceed 1000 lb/-in.



Square Drive Universal Adaptors

SIZE	PART NUMBER	MAX TORQUE	MALE Sq.	FEMALE Sq.
1/4"	UJ250	240 lb-in	1/4"	1/4"
3/8"	UJ375	1000 lb-in	3/8"	3/8"
1/2"	UJ500	2400 lb-in	1/2"	1/2"
3/4"	UJ750	3876 lb-in	3/4"	3/4"

Standard Profile

Low Profile



* Torque control sockets and adaptors are not intended for use with "impact" tools.

Tooling excellence for tomorrow's technology

Founded in 1983, Omega Technologies, Inc. has become one of the world's leading sources of aircraft tools, continually working to increase the variety of tools available, while researching and developing ways to improve their strength, durability, and functionality. Omega manufactures its own proprietary line of tools, and also distributes for a host of other highly respected tool producers. Products include a complete line of fastener installation and removal tools, drills, countersinks, clamps, reamers, grinders, and more.

Quality at Omega shows in our knowledgeable staff, the conscientious and responsive job we do, and in the continually evolving line of products we offer. We thrive on innovation and welcome new solutions to problems. If you have an invention, please give us a call.



John Schooland
Founder & President



31125 Via Colinas, Suite 905
Westlake Village, CA 91362

sales@omegatec.com

T 800.888.4005

T 818.264.7970

F 818.264.1414

©2011 Omega Technologies, Inc. This catalogue may not be reproduced (in whole or part) without written permission.



omegatec.com



info@omegatec.com

How to order from us

Our experienced staff is available Monday through Friday 7:30am - 5:00pm PST. Orders and inquiries can be made by phone, online, fax, or email.

Terms and Conditions

Payment: Upon credit approval, standard terms are 1%10, Net-30. Payment may be made electronically, by check, or by credit card (Omega accepts Master Card, Discover, American Express, and VISA). Government and Corporate cards are also honored. C.O.D. shipments may incur a small additional fee (charged by the carrier).



Shipping Policy: Unless otherwise requested, Omega ships via UPS, FED-EX or other common carrier. Standard shipping charges apply. Expedited shipping options are available. Orders under \$50.00 will be subject to a flat \$10.00 shipping and handling charge. Note: standard shipping charges are included in this fee.

Minimum Order: Omega has no minimum, but a flat \$10.00 shipping & handling fee will be added to orders less than \$50.00.

C.A.G.E. Code: For US Government customers, Omega Technology's Commercial and Government Entity code is: 9X250

Trademarks: All trademarks used in this catalog are the property of their respective owners and their use does not indicate approval or endorsement of Omega Technologies Inc. by the trademark owner. Trademarks include: Hi-Shear[®], VSI[®], Fairchild[®], Alcoa[®], ATI[®], Zephyr[®], and QRS[®].

Returns: Prior to the return of any goods, a Returned Goods Authorization (RGA) must be obtained from the Omega Sales Department. Returned goods should be sent to Omega for evaluation. Defective tools will be repaired, replaced in accordance with Warranty Terms and Conditions (see below). Special items including tools manufactured to customer specifications or special dimensions are not returnable under any circumstances.

Warranty: Omega Technologies Inc. products are warranted to be free of defects in material and workmanship. Products for which Return Goods Authorization (RGA) is requested should be returned, at buyer's cost, for evaluation to the address on the facing page. Please include the RGA# on the outside of the package.

This Warranty shall not apply to Products which have been misused, abused, damaged by accident or otherwise, repaired by an Authorized Repair Center or modified by anyone other than Omega and is in lieu of all other warranties whether express, implied, or statutory. THE IMPLIED WARRANTIES OF MERCHANTABILITY AND FITNESS FOR A PARTICULAR PURPOSE ARE SPECIFICALLY EXCLUDED. Buyer's sole and exclusive remedy for breach of this Warranty is, at the opinion of Omega, repair or replacement of the defective product. IN NO EVENT WILL OMEGA BE LIABLE FOR ANY INDIRECT, SPECIAL, INCIDENTAL, CONSEQUENTIAL, OR PUNITIVE DAMAGES ARISING FROM BREACH OF THIS WARRANTY, EVEN IF OMEGA HAS BEEN ADVISED OF THE POSSIBILITY OF SUCH DAMAGES.

Safety: All items are sold with the strict and specific understanding that they are to be used properly and with all necessary safety precautions, and that it is the user's responsibility to determine the suitability of the product for their intended use and assume all risk and liability in connection therewith. Common sense and various local, State, and Federal Laws require the constant use of safety equipment when working with any type of tool. Approved eye protection is always recommended when working with any cutting, rotary, or percussion device of any kind such as those listed within the contents of this catalog.

Customer Service: Our office is open to answer questions and take your order Monday through Friday, 7:30 am to 5:00 pm, Pacific Time (excluding holidays).